



This industrial air curtain has very powerful air and heating outputs, making it suitable for use on warehouse and despatch area entrances up to 8 metres high.

The adjustable aerofoil shaped outlet vanes can be angled to provide the optimum seal across an entrance. It incorporates low noise centrifugal double inlet fans driven by an external rotor motor with built-in thermal protection. A perforated inlet grille acts as an air filter to prevent debris entering and removes the need for an internal filter.

Using air curtains in these types of industrial situations makes internal temperature control more practical, as heat loss through these often wide open doors is significantly reduced.

A standard manual controller, 10 metres of control cable and an IR handheld remote are included. Other control options available include the Clever controller or the BMS interface.

COLOURS AVAILABLE
White RAL9016 (standard)
Any RAL colour

MOUNTING OPTIONS
Horizontal
Vertical

MAX DOOR HEIGHT
8.0m

FAN OPTIONS
AC fan (standard)

HEATING OPTIONS
Electric
LPHW
Air only

LENGTHS AVAILABLE
1.0m 2.5m
1.5m 3.0m
2.0m

Air only

Model	Max mounting height m	*Airflow m³/h	Power/current fans 230V-50Hz kW/A	Noise level (@5m) dB(A)	Weight kg
L 1000 A	5	4000	1.04 / 4.40	63	72
L 1500 A	5	6000	1.56 / 6.60	64	108
L 2000 A	5	8000	2.08 / 8.80	65	145
L 2500 A	5	10000	2.60 / 11	66	177
L 3000 A	5	12000	3.12 / 13.20	67	213
XL 1000 A	8	5300	1.40 / 6	65	78
XL 1500 A	8	7950	2.10 / 9	66	117
XL 2000 A	8	10600	2.80 / 12	67	157
XL 2500 A	8	13250	3.50 / 15	68	192
XL 3000 A	8	15900	4.20 / 18	69	211

*tested to AMCA 220-05

Electrically heated

Model	Max mounting height m	*Airflow m³/h	Electrical heating capacity 400Vx3-50Hz kW	Power/current fans 230V-50Hz kW/A	Noise level (@5m) dB(A)	Weight kg
L 1000 E	5	4000	6/13/19	1.04 / 4.40	63	90
L 1000 E25	5	4000	10/15/25	1.04 / 4.40	63	90
L 1500 E	5	6000	8/22.5/30.5	1.56 / 6.60	64	135
L 1500 E37.5	5	6000	15/22.5/37.5	1.56 / 6.60	64	135
L 2000 E	5	8000	12/30/42 *	2.08 / 8.80	65	180
L 2000 E50	5	8000	20/30/50 *	2.08 / 8.80	65	180
L 2500 E	5	10000	20/30/50 *	2.60 / 11.00	66	225
L 2500 E60	5	10000	20/40/60 *	2.60 / 11.00	66	225
L 3000 E	5	12000	20/40/60 *	3.12 / 13.20	67	270
L 3000 E70	5	12000	20/50/70 *	3.12 / 13.20	67	270
XL 1000 E	8	5300	10/15/25	1.40 / 6.00	65	95
XL 1000 E.35	8	5300	10/25/35	1.40 / 6.00	65	96
XL 1500 E	8	7950	15/22.5/37.5	2.10 / 9.00	66	144
XL 1500 E52	8	7950	15/37.5/52.5 *	2.0 / 9.00	66	150
XL 2000 E	8	10600	20/30/50 *	2.80 / 12.00	67	192
XL 2000 E70	8	10600	20/50/70 *	2.80 / 12.00	67	200
XL 2500 E	8	13250	20/40/60 *	3.50 / 15.00	68	240
XL 2500 E70	8	13250	20/50/70 *	3.50 / 15.00	68	250
XL 3000 E	8	15900	20/50/70 *	4.20 / 18.00	69	288
XL 3000 E80	8	15900	30/50/80 **	4.20 / 18.00	69	300

*2 separate power supplies. **3 separate power supplies

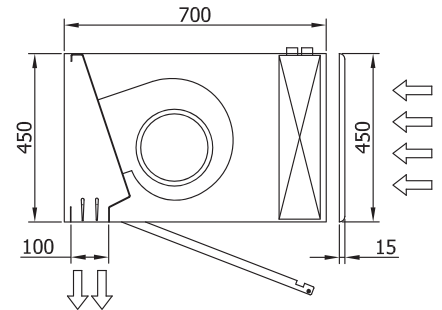
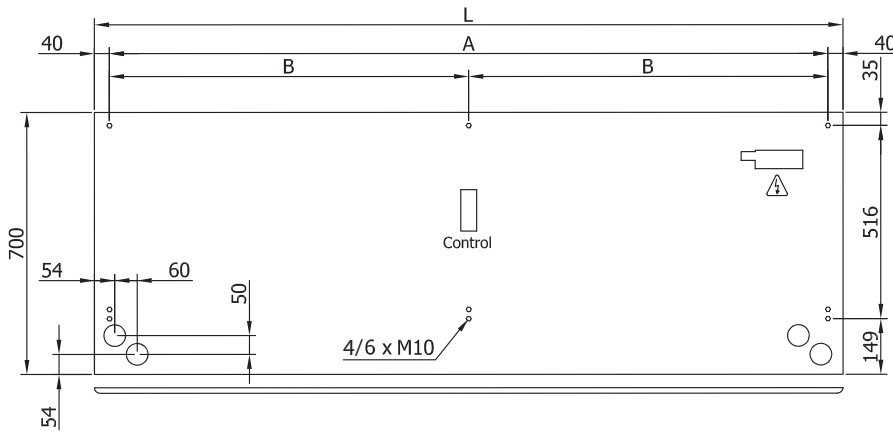
Water heated

Model	Max mounting height m	*Airflow m³/h	P86		P64		**P54		Power/current fans 230V-50Hz kW/A	Noise level (@5m) dB(A)	Weight kg
			Water heating capacity 80/60°C kW	Water drop pressure 80/60°C Pa	Water heating capacity 60/40°C kW	Water drop pressure 60/40°C Pa	Water heating capacity 50/40°C kW	Water drop pressure 50/40°C Pa			
L 1000 P	5	3800	19.68	1730	16.18	2570	17.18	1560	1.04 / 4.40	62	89
L 1500 P	5	5700	29.64	950	25.92	3210	29.04	5710	1.56 / 6.60	63	128
L 2000 P	5	7600	43.01	2390	35.58	3680	38.93	4330	2.08 / 8.80	64	171
L 2500 P	5	9500	56.01	4670	45.55	4750	49.36	4990	2.60 / 11	65	214
L 3000 P	5	11400	69.27	8090	56.78	8350	59.96	5770	3.12 / 13.20	66	260
XL 1000 P	8	4900	22.68	2250	18.98	3410	20.43	2120	1.40 / 6	64	94
XL 1500 P	8	7350	34.52	1240	30.45	4270	34.55	7780	2.10 / 9	65	137
XL 2000 P	8	9800	50.10	3140	41.83	4910	46.36	5910	2.80 / 12	66	183
XL 2500 P	8	12250	65.29	6130	53.56	6330	58.81	6810	3.50 / 15	67	227
XL 3000 P	8	14700	80.79	10640	66.78	11140	71.47	7890	4.20 / 18	68	278

Water heated: P86 2 row coil, P64 3 row coil, 1000, 1500 units 2 x 1" connections, 2000, 2500 units 2 x 1¼" connections, 3000 units 2 x 1½" connections.

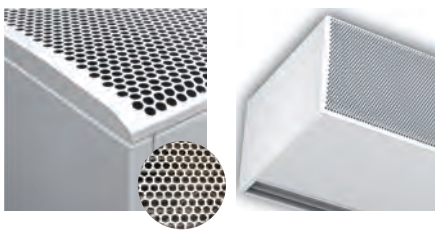
*tested to MACA 220-05. ** Available to special order.

Layouts and dimensions

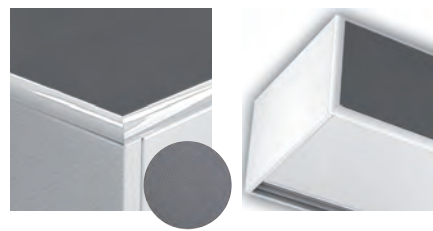


L	A	B
1000	920	-
1500	1420	710
2000	1920	960
2500	2420	1210
3000	2920	1460

Grille finishes



Industrial



Decorative