



Venese is an attractive, slim, vertically mounted air curtain that is designed to be situated to the side of an entrance.

The stylish adjustable exhaust lamellas ensure a high output and with the insulated shell design, the air curtain is very quiet even at high settings. For extra wide doorways, placing a unit either side of the entrance creates a more efficient thermal barrier.

It is ideal for use in public buildings such as banks, offices, hotels and restaurants. Using air curtains in these types of buildings makes internal temperature control more practical, as heat loss through these often open doors is significantly reduced.

A standard manual controller and 5 metres of control cable are included.

COLOURS AVAILABLE White RAL9010 (standard) Any RAL colour	MOUNTING OPTIONS Vertical	MAX DOOR HEIGHT 2.5m	FAN OPTIONS AC fan	HEATING OPTIONS Electric LPHW Air only	LENGTHS AVAILABLE 2.5m
--	-------------------------------------	--------------------------------	------------------------------	--	----------------------------------



Air only

Electrically heated

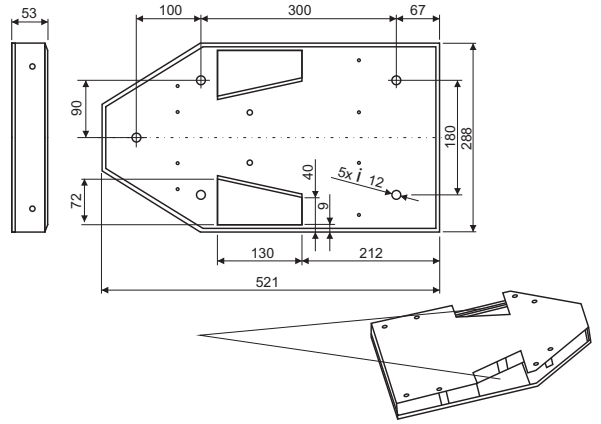
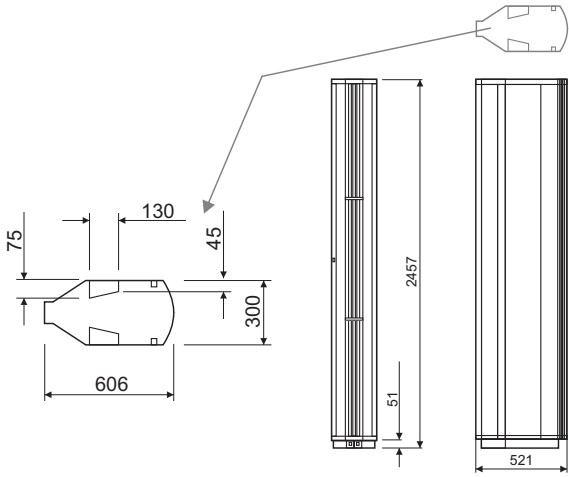
Model	Max door height m	Airflow m³/h	Power/current fans 230V-50Hz kW/A	Noise level (3 m) dB(A)	Weight kg
VCV-B-25S	2.5	5500	1.46 / 6.5	56	95

Model	Max door height m	Airflow m³/h	Electrical heating capacity 400Vx3-50Hz kW	Power/current fans 230V-50Hz kW/A	Noise level (3 m) dB(A)	Weight kg
VCV-B-25E	2.5	5400	24	1.46 / 6.5	55.5	103
VCV-B-25F	2.5	5400	36	1.46 / 6.5	55.5	103

Water heated

Model	Max door height m	Airflow m³/h	P86		P64		P54		Power/current fans 230V-50Hz kW/A	Noise level (3 m) dB(A)	Weight kg
			Water heating capacity 80/60°C kW	Water drop pressure 80/60°C Pa	Water heating capacity 60/40°C kW	Water drop pressure 60/40°C Pa	Water heating capacity 50/40°C kW	Water drop pressure 50/40°C Pa			
VCV-B-25W	2.5	5100	32.03	6200	18.85	2650	17	6810	1.46 / 6.5	55	104

Layouts and dimensions



Installation

