

The VCP air curtain is a great alternative to fast-acting roller doors and PVC slat curtains. They are situated above or to the side of industrial doorways and create a powerful seal across the opening keeping heat in whilst providing total visibility and access.

Galvanised sheet casing and closed construction motors with self-lubricating ball bearings ensure maintenance-free operation under the hardest of operating conditions.

These units are ideal for use on loading bays, factories, hangars, etc so that forklift drivers don't have to get out of their cabs to open and close doors making moving from one area to another safer and more convenient. Unlike plastic slat curtains, which quickly become opaque with use, an air curtain provides 100% visibility at all times.

A standard manual controller with five-speed selections is included.

COLOURS AVAILABLE White RAL9010 (standard) Galvanised (standard)	MOUNTING OPTIONS Horizontal Vertical	MAX DOOR HEIGHT Horizontal 9m Vertical 18m (2x9m)	FAN OPTIONS AC fan (standard)	HEATING OPTIONS Electric LPHW Air only	LENGTHS AVAILABLE 1.6m 2.20m 2.75m
---	---	--	---	--	--



Air only

Model	Max mounting height m	Airflow m³/h	Power/current fans 230V-50Hz kW/A	Noise level (@5m) dB(A)	Weight kg
VCIN1A150-S0AC	9	11550	0.811 / 3.6	63	51
VCIN1A200-S0AC	9	15100	1.08 / 4.8	64.9	69
VCIN1A250-S0AC	9	18500	1.35 / 6	66.7	83

Electrically heated

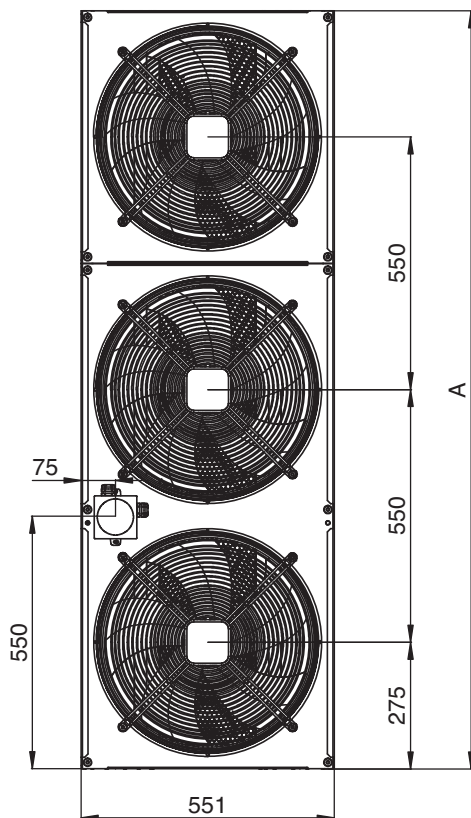
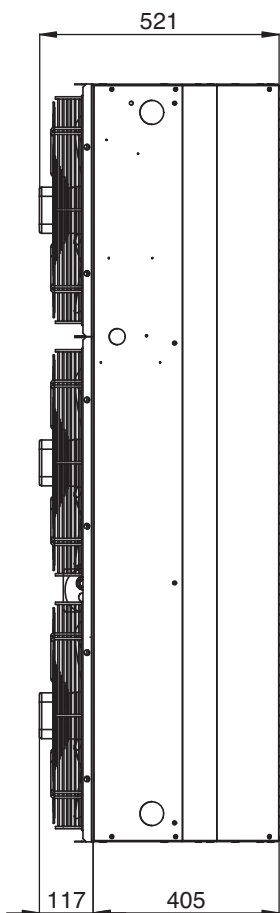
Model	Max mounting height m	Airflow m³/h	Electrical heating capacity 400Vx3-50Hz kW	Power/current fans 230V-50Hz kW/A	Noise level (@5m) dB(A)	Weight kg
VCIN1A150-E1AC	9	11550	24.3	0.811 / 3.6	63	55
VCIN1A200-E1AC	9	15100	32.4	1.08 / 4.8	64.9	74
VCIN1A250-E1AC	9	18500	40.5	1.35 / 6	66.7	89

Water heated

Model	Max mounting height m	Airflow m³/h	P86		P64		P54		Power/current fans 230V-50Hz kW/A	Noise level (@5m) dB(A)	Weight kg
			Water heating capacity 80/60°C kW	Water drop pressure 80/60°C Pa	Water heating capacity 60/40°C kW	Water drop pressure 60/40°C Pa	Water heating capacity 50/40°C kW	Water drop pressure 50/40°C Pa			
VCIN1A150-V2AC	9	10300	62.9	18000	37.6	8000	32.3	18190	0.833 / 3.7	63.1	60
VCIN1A200-V2AC	9	13700	84.6	14000	50.2	7000	42.9	13230	1.127 / 5	64	78
VCIN1A250-V2AC	9	17000	106	11000	62.7	5000	53.7	10540	1.42 / 6.3	65.5	98

2 x 1" BSP pipe connections.

Layouts and dimensions



VCP	A
150	1650
200	2200
250	2750

