



Option available

The Smart air curtain offers a stylish, discreet and contemporary design that blends effortlessly into any interior.

The smooth front panel cleverly hides the air intake grill from view which can be customised to client requirements, for example with logos, lighting or safety information. Low noise centrifugal inlet fans are driven by an external rotor motor with a built in thermal protection contact.

This air curtain is suitable for commercial and industrial buildings. Using air curtains in these types of situations makes internal temperature control more practical, as heat loss through these often open doors is significantly reduced.

A standard manual controller, 7 metres of control cable and an IR handheld remote are included. Other control options available include the Clever controller or the BMS interface.

COLOURS AVAILABLE
White RAL9016 (standard)
Any RAL colour

MOUNTING OPTIONS
Horizontal

MAX DOOR HEIGHT
4.2m

FAN OPTIONS
AC fan (standard)
EC fan (option)

HEATING OPTIONS
Electric
LPHW
Air only

LENGTHS AVAILABLE
1.0m 2.5m
1.5m 3.0m
2.0m

Air only

Model	Max mounting height m	*Airflow m³/h	Power/current fans 230V-50Hz kW/A	Noise level (@5m) dB(A)	Weight kg
SMART M 1000 A	3.5	1800	0.212 / 0.94	53	34
SMART M 1500 A	3.5	2700	0.318 / 1.41	54	50
SMART M 2000 A	3.5	3600	0.424 / 1.88	55	62
SMART M 2500 A	3.5	4500	0.530 / 2.35	56	66
SMART M 3000 A	3.5	5400	0.636 / 2.82	57	76
SMART ECM 1000 A	3.5	1840	0.132 / 1.14	54	34
SMART ECM 1500 A	3.5	2760	0.198 / 1.71	55	50
SMART ECM 2000 A	3.5	3680	0.264 / 2.28	56	62
SMART ECM 2500 A	3.5	4600	0.330 / 2.85	57	66
SMART ECM 3000 A	3.5	5520	0.396 / 3.42	58	76
SMART G 1000 A	3.8	2400	0.642 / 2.85	55	38
SMART G 1500 A	3.8	3200	0.856 / 3.80	56	55
SMART G 2000 A	3.8	4800	1.284 / 5.70	57	72
SMART G 2500 A	3.8	5600	1.498 / 6.65	58	76
SMART G 3000 A	3.8	6400	1.712 / 7.60	59	86
SMART ECG 1000 A	4.2	2700	0.225 / 1.95	59	38
SMART ECG 1500 A	4.2	3600	0.300 / 2.60	60	55
SMART ECG 2000 A	4.2	5400	0.450 / 3.90	61	72
SMART ECG 2500 A	4.2	6300	0.525 / 4.55	62	76
SMART ECG 3000 A	4.2	7200	0.600 / 5.20	63	86

*tested to Amca 220-05

Electrically heated

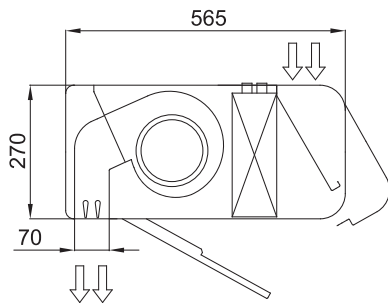
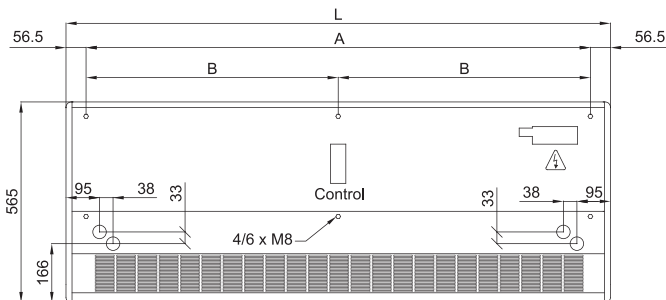
Model	Max mounting height m	*Airflow m³/h	Electrical heating capacity 400Vx3-50Hz kW	Power/current fans 230V-50Hz kW/A	Noise level (@5m) dB(A)	Weight kg
SMART M 1000 E	3.5	1800	3/6/9	0.212 / 0.94	53	41
SMART M 1500 E	3.5	2700	4/8/12	0.318 / 1.41	54	62
SMART M 2000 E	3.5	3600	6/12/18	0.424 / 1.88	55	80
SMART M 2500 E	3.5	4500	6/12/18	0.530 / 2.35	56	86
SMART M 3000 E	3.5	5400	8/16/24	0.636 / 2.82	57	99
SMART ECM 1000 E	3.5	1840	3/6/9	0.132 / 1.14	54	41
SMART ECM 1500 E	3.5	2760	4/8/12	0.198 / 1.71	55	62
SMART ECM 2000 E	3.5	3680	6/12/18	0.264 / 2.28	56	80
SMART ECM 2500 E	3.5	4600	6/12/18	0.330 / 2.85	57	86
SMART ECM 3000 E	3.5	5520	8/16/24	0.396 / 3.42	58	99
SMART G 1000 E	3.8	2400	5/10/15	0.642 / 2.85	55	46
SMART G 1500 E	3.8	3200	7.5/15/22.5	0.856 / 3.80	56	68
SMART G 2000 E	3.8	4800	10/20/30	1.284 / 5.70	57	90
SMART G 2500 E	3.8	5600	10/20/30	1.498 / 6.65	58	96
SMART G 3000 E	3.8	6400	10/20/30	1.712 / 7.60	59	109
SMART ECG 1000 E	4.2	2700	5/10/15	0.225 / 1.95	59	46
SMART ECG 1500 E	4.2	3600	7.5/15/22.5	0.300 / 2.60	60	68
SMART ECG 2000 E	4.2	5400	10/20/30	0.450 / 3.90	61	90
SMART ECG 2500 E	4.2	6300	10/20/30	0.525 / 4.55	62	96
SMART ECG 3000 E	4.2	7200	10/20/30	0.600 / 5.20	63	109

Water heated

Model	Max mounting height m	*Airflow m³/h	P86		P64		P54		Power/current fans 230V-50Hz kW/A	Noise level (@5m) dB(A)	Weight kg
			Water heating capacity 80/60°C kW	Water drop pressure 80/60°C Pa	Water heating capacity 60/40°C kW	Water drop pressure 60/40°C Pa	Water heating capacity 50/40°C kW	Water drop pressure 50/40°C Pa			
SMART M 1000 P	3.5	1660	9.17	880	8.56	4370	8.52	1220	0.428 / 1.90	54	39
SMART M 1500 P	3.5	2490	14.26	760	13.69	6460	14.34	4480	0.642 / 2.85	55	58
SMART M 2000 P	3.5	3320	20.65	1930	18.26	4790	18.65	2060	0.856 / 3.80	56	73
SMART M 2500 P	3.5	4150	26.92	3810	22.12	3850	24.32	4040	1.070 / 4.75	57	79
SMART M 3000 P	3.5	4980	33.24	6590	28.37	6760	29.77	5660	1.280 / 5.70	58	91
SMART ECM 1000 P	3.5	1720	9.38	920	8.77	4560	8.74	1280	0.132 / 1.14	54	39
SMART ECM 1500 P	3.5	2580	14.58	790	14.02	6730	14.71	4690	0.198 / 1.71	55	58
SMART ECM 2000 P	3.5	3440	21.12	2010	18.70	4990	19.13	2150	0.264 / 2.28	56	73
SMART ECM 2500 P	3.5	4300	27.53	3960	23.33	4010	24.95	4230	0.330 / 2.85	57	79
SMART ECM 3000 P	3.5	5160	40.00	6860	29.05	7050	30.54	5920	0.396 / 3.42	58	91
SMART G 1000 P	3.8	2250	11.04	1230	10.42	6190	10.56	1790	0.642 / 2.85	55	44
SMART G 1500 P	3.8	3000	16.02	940	15.47	8020	16.37	5670	0.856 / 3.80	56	64
SMART G 2000 P	3.8	4500	24.92	2700	22.29	6810	23.15	3030	1.284 / 5.70	57	83
SMART G 2500 P	3.8	5250	31.16	4930	26.61	5060	28.76	5450	1.498 / 6.65	58	87
SMART G 3000 P	3.8	6000	37.35	8110	32.10	8410	34.03	7180	1.712 / 7.60	59	99
SMART ECG 1000 P	4.2	2550	11.89	1400	11.27	7110	11.50	2090	0.225 / 1.95	59	44
SMART ECG 1500 P	4.2	3400	17.29	1070	16.77	9240	17.86	6620	0.300 / 2.60	60	64
SMART ECG 2000 P	4.2	5100	26.86	3080	24.14	7850	25.24	3530	0.450 / 3.90	61	83
SMART ECG 2500 P	4.2	5950	33.63	5650	28.84	5840	31.38	6360	0.525 / 4.55	62	87
SMART ECG 3000 P	4.2	6800	40.34	9290	34.81	9710	37.16	8400	0.600 / 5.20	63	99

P86 - 2 rows coil, 2 x ¾" female connector. P64 - 3 rows coil, 2 x ¾" female connector. P54 - 4 rows coil, 2 x 1" male connector. *tested to Amca 220-05

Layout and dimensions



	L	I	A
Smart 1000	1034	920	-
Smart 1500	1534	1420	710
Smart 2000	2034	1920	960
Smart 2500	2534	2420	1210
Smart 3000	3034	2920	1460

Finishes and details

