

MINI OPTIMA

EXPOSED









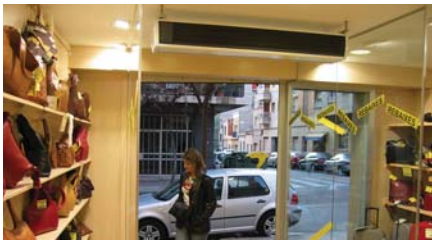
This stylish air curtain with its slim design and curved end panels, make it an unobtrusive addition to any doorway.

A micro-perforated inlet grille will filter the air entering the unit, avoiding the need to routinely replace or clean internal air filters. All the inlet grille requires for maintenance is a periodic wipe or vacuum.

The Mini Optima is ideal for small and medium sized premises such as shops, offices, restaurants and other public buildings.

A manual controller with 2 fan speed selections, 2 heater stages for electrically heated or 2 speed fan selection for LPHW and air only units, 7 metres of control cable and an IR hand held remote are included.

 COLOURS AVAILABLE White RAL9016 (standard) Any RAL colour	 MOUNTING OPTIONS Horizontal	 MAX DOOR HEIGHT 2.2m - 2.8m	 FAN OPTIONS AC fan	 HEATING OPTIONS Electric LPHW Air only	 LENGTHS AVAILABLE 1.0m 1.5m 2.0m
----------------------------------------------------------------------------------------------------------------------------------------------------------	-------------------------------------------------------------------------------------------------------------------------	-------------------------------------------------------------------------------------------------------------------------	----------------------------------------------------------------------------------------------------------------	--------------------------------------------------------------------------------------------------------------------------------------------	--------------------------------------------------------------------------------------------------------------------------------------



Air only

Model	Max mounting height m	Airflow m³/h	Power/current fans 230V-50Hz kW/A	Noise level (@5m) dB(A)	Weight kg
OPT 1000 A	2.8	1500	0.080 / 0.41	35/50	17.5
OPT 1500 A	2.8	2150	0.117 / 0.53	36/51	25.5
OPT 2000 A	2.8	2900	0.160 / 0.82	38/53	33

Water heated

Model	Max mounting height m	Airflow m³/h	Heating capacity 80/60° kW	Water Drop Pressure Pa	Power/current fans 230V-50Hz kW/A	Noise level (@5m) dB(A)	Weight kg
OPT 1000 P	2.8	1400	8.2	7090	0.080 / 0.41	37/51	20.5
OPT 1500 P	2.8	2100	12.7	7200	0.117 / 0.53	38/52	27.5
OPT 2000 P	2.8	2750	16.7	6550	0.160 / 0.82	40/54	37.5

Electrically heated

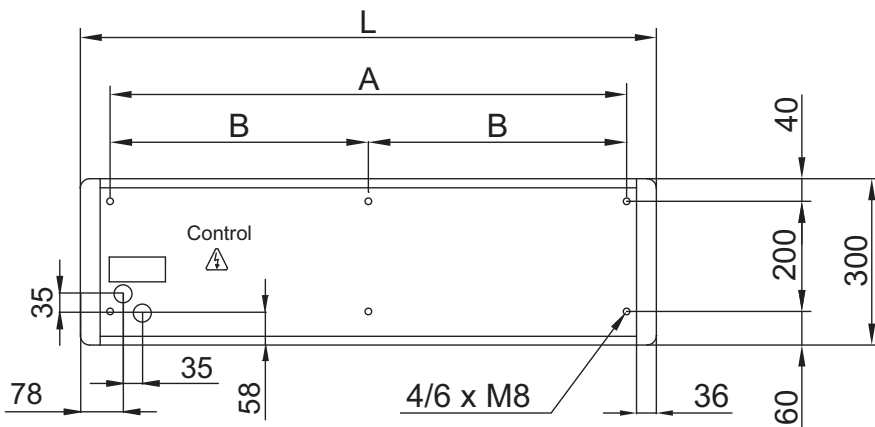
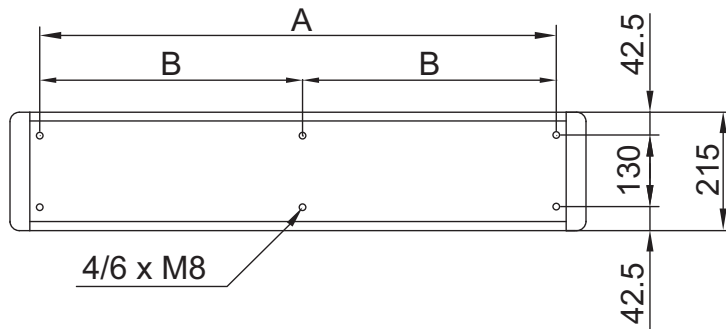
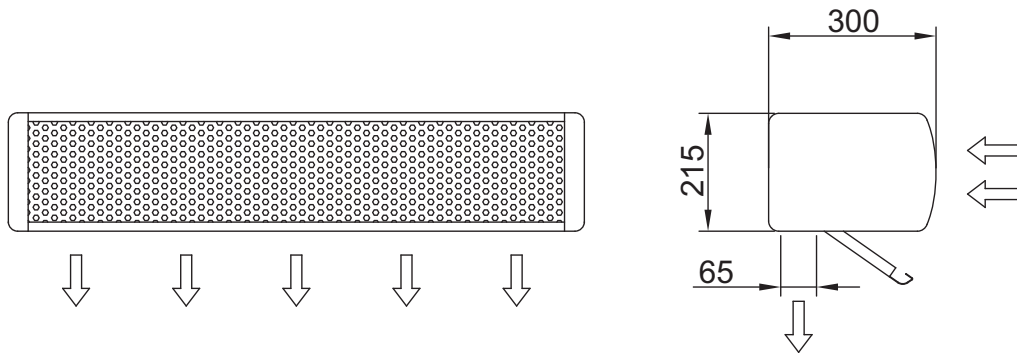
Model	Max mounting height m	Airflow m³/h	Electrical Heating Capacity (*) kW	Electrical Heating Voltage V	Electrical Heating Current A	Power/current fans 230V-50Hz kW/A	Noise Level (@5m) dB(A)	Weight kg
OPT 1000 E	2.8	1500	4/6	400Vx3	5.8/8.7	0.080 / 0.41	35/50	20.5
OPT 1000 E9	2.8	1500	6/9	400Vx3	8.7/13	0.080 / 0.41	35/50	21/5
OPT 1000 E230	2.8	1500	3.8/5.6	230Vx1	16.5/24.5	0.080 / 0.41	35/50	20.5
OPT 1500 E	2.8	2150	6/9	400Vx3	8.7/13	0.117 / 0.53	36/51	27.5
OPT 1500 E230-6	2.8	2150	3.8/5.6	230Vx1	16.5/24.5	0.117 / 0.53	36/51	27.5
OPT 1500 E230-9	2.8	2150	6/9	230Vx1	26/39.1	0.117 / 0.53	36/51	27.5
OPT 2000 E	2.8	2900	5.6/11.3	400Vx3	8.1/16.3	0.160 / 0.82	38/53	42
OPT 2000 E230	2.8	2900	5.6/11.3	230Vx1	24.5/49.1	0.160 / 0.82	38/53	42

Water heated: connection pipes 1/2" female. 2 rows coil.
 (*) Under request other electrical heating capacities may be supplied

The UK's Leading Air Curtain Specialist



Layouts and dimensions



	L	A	B
OPT 1000	1050	940	-
OPT 1500	1550	1440	-
OPT 2000	2050	1940	970