



The new Maxwell air curtain with double outlets achieves an increased and more efficient air jet, with adjustable pitch angled outlet aerofoil shaped lamellas making it a perfect choice for larger industrial doorways.

This high-performance air curtain with efficient, low noise axial fans is driven by an external rotor motor.

Suitable for vertical and horizontal installations, this air curtain has multiple modules that can be joined together to cover wide entrances making it ideal for use on loading bays, factories, hangars, etc.

A standard manual controller and 10 metres of control cable are included. Other control options available include the Clever controller or the BMS interface.

COLOURS AVAILABLE White RAL9016 (standard) Any RAL colour	MOUNTING OPTIONS Horizontal Vertical	MAX DOOR HEIGHT Horizontal 7m Vertical 14 m (2x7m)	FAN OPTIONS AC fan (standard) EC fan (option)	HEATING OPTIONS LPHW Air only	LENGTHS AVAILABLE 1.5m 2.0m 2.5m
--	---	---	--	--	--



Air Only

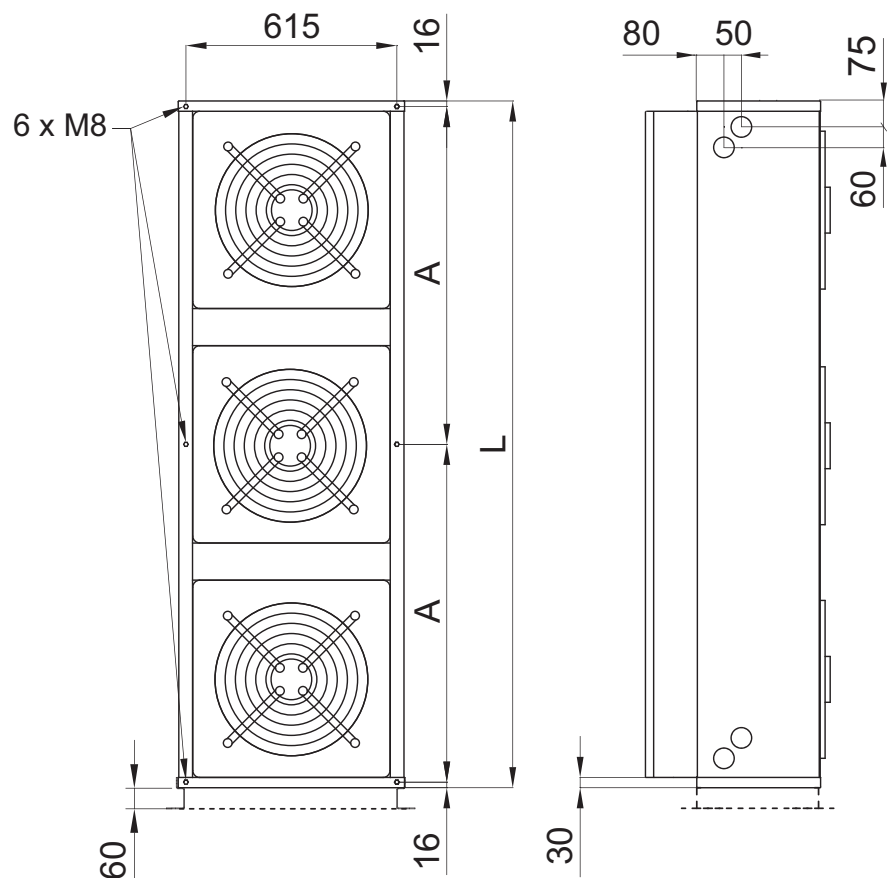
Model	Max mounting height m	Airflow m ³ /h	Power/current fans 230V-50Hz kW/A	Noise Level (@5m) dB(A)	Weight kg
MXW 1500 A	7	7000	0.68/2.96	60	79
MXW 2000 A	7	10500	1.02/4.44	61	103
MXW 2500 A	7	14000	1.36/5.92	62	126

Water heated

Model	Max mounting height m	Airflow m ³ /h	P86		P64		*P54		Power/current fans 230V-50Hz kW/A	Noise level (@5m) dB(A)	Weight kg
			Water heating capacity 80/60°C kW	Water drop pressure 80/60°C Pa	Water heating capacity 60/40°C kW	Water drop pressure 60/40°C Pa	Water heating capacity 50/40°C kW	Water drop pressure 50/40°C Pa			
MXW 1500 P	7	6800	41.39	12040	34.09	12620	-	-	0.68 / 2.96	59	95
MXW 2000 P	7	10200	61.25	16920	50.16	13660	-	-	1.02 / 4.44	60	126
MXW 2500 P	7	13600	80.05	13940	66.19	14600	-	-	1.36 / 5.92	61	158

P86 - 2 rows coil, 2 x 1¼" connector. P64 - 3 rows coil, 2 x 1¼" connector.
 * Available to special order.

Layout and dimensions



	L	A
MXW 1500	1500	734
MXW 2000	2000	984
MXW 2500	2500	1234