



The Max air curtain is a great alternative to fast-acting roller doors and PVC slat curtains. They are situated above or to the side of industrial doorways creating a powerful seal across the opening keeping heat in whilst providing total visibility and access.

Heavy casing made of double chamber aluminium profiles and galvanised steel panels provide a durable exterior. Axial fans driven by an external rotor motor with built-in thermal protection provide up to 19,800m³ air flow per hour.

These units are ideal for use on loading bays, factories, hangars, etc so that forklift drivers don't have to get out of their cabs to open and close doors making moving from one area safer and more convenient.

A standard manual controller, 10 metres of control cable and an IR handheld remote are included. Other control options available include the Clever controller or the BMS interface.

COLOURS AVAILABLE White RAL9016 (standard) Any RAL colour	MOUNTING OPTIONS Horizontal Vertical	MAX DOOR HEIGHT Horizontal 7m Vertical 14m (2 x 7m)	FAN OPTIONS AC fan (standard)	HEATING OPTIONS Electric LPHW Air only	LENGTHS AVAILABLE 1.2m 3.0m 1.8m 3.5m 2.4m
--	---	--	---	--	--



Air only

Electrically heated

Model	Max mounting height m	Airflow m ³ /h	Power/current fans 230V-50Hz kW/A	Noise level (@5m) dB(A)	Weight kg
MAX 2 A	7	6600	0.68 / 2.96	62	59
MAX 3 A	7	9900	1.02 / 4.44	63	79
MAX 4 A	7	13200	1.36 / 5.92	64	103
MAX 5 A	7	16500	1.70 / 7.40	65	124
MAX 6 A	7	19800	2.04 / 8.88	66	151

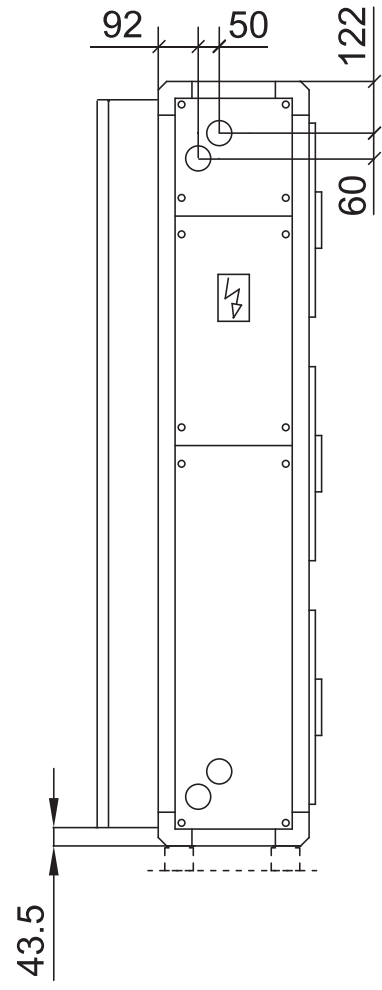
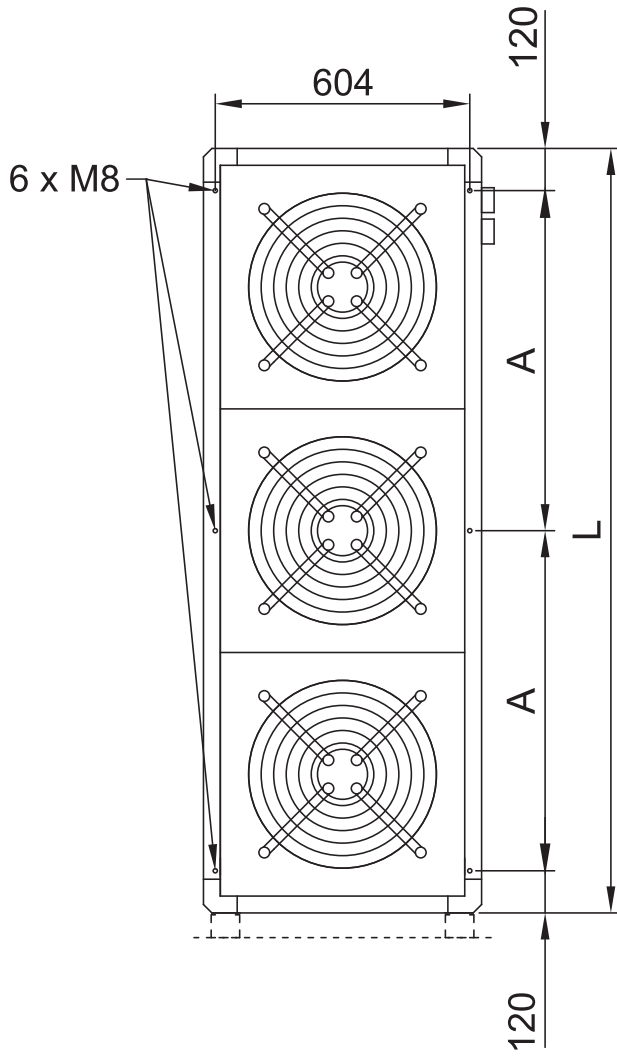
Model	Max mounting height m	Airflow m ³ /h	Electrical heating capacity 400Vx3-50Hz kW	Power/current fans 230V-50Hz kW/A	Noise level (@5m) dB(A)	Weight kg
MAX 2 E	7	6600	13.7/22.9/36.6	0.68 / 2.96	62	74
MAX 3 E	7	9900	20.7/34.7/55.4	1.02 / 4.44	63	100
MAX 4 E	7	13200	27.8/46.4/74.2	1.36 / 5.92	64	133
MAX 5 E	7	16500	34.8/58.2/93	1.70 / 7.40	65	159
MAX 6 E	7	19800	consult	2.04 / 8.88	66	186

Water heated

Model	Max mounting height m	Airflow m ³ /h	P86		P64		*P54		Power/current fans 230V-50Hz kW/A	Noise level (@5m) dB(A)	Weight kg
			Water heating capacity 80/60°C kW	Water drop pressure 80/60°C Pa	Water heating capacity 60/40°C kW	Water drop pressure 60/40°C Pa	Water heating capacity 50/40°C kW	Water drop pressure 50/40°C Pa			
MAX 2 P	7	6400	28.74	350	29.71	8690	-	-	0.68 / 2.96	61	75
MAX 3 P	7	9600	51.77	1440	47.10	11930	-	-	1.02 / 4.44	62	102
MAX 4 P	7	12800	74.15	2580	63.30	9340	-	-	1.36 / 5.92	63	135
MAX 5 P	7	16000	96.43	7070	82.16	18450	-	-	1.70 / 7.40	64	162
MAX 6 P	7	19200	118.69	12160	91.92	3770	-	-	2.04 / 8.88	65	189

Pipe connections: 2 x 1 1/4".
 * Available to special order.

Layout and dimensions



	L	A
MAX 2	1234	498
MAX 3	1811	786
MAX 4	2388	1074
MAX 5	2965	1363
MAX 6	3542	1651

