



Options available

The Invisair air curtain has been designed for applications where the body of the unit is to be concealed inside a column or bulkhead for architectural reasons.

Unlike the conventional air curtain arrangement where the air is discharged at right angles to the air inlet assembly, the Invisair air intake and discharge grille are in the same plane so that the air flows through the unit in a straight line.

This air curtain is suitable for commercial and industrial premises. Using air curtains in these types of situations makes internal temperature control more practical, as heat loss through these often open doors is significantly reduced.

A standard manual controller and 7 metres of control cable are included. Other control options available include the Clever controller or the BMS interface.

<p>COLOURS AVAILABLE White RAL9016 (standard) Any RAL colour</p>	<p>MOUNTING OPTIONS Horizontal Vertical</p>	<p>MAX DOOR HEIGHT Horizontal 4.2m Vertical 8.4m (2x4.2m)</p>	<p>FAN OPTIONS AC fan (standard) EC fan (option)</p>	<p>HEATING OPTIONS Electric LPHW Heat pump Air only</p>	<p>LENGTHS AVAILABLE 1.5m 2.5m 2.0m</p>
---	--	--	---	--	--



Air only

Model	Max mounting height m	Airflow m³/h	Power/current fans 230V-50Hz kW/A	Noise level (@5m) dB(A)	Weight kg
IM 1500 A	3.5	2640	0.424 / 1.88	56	55
IM 2000 A	3.5	3960	0.636 / 2.82	57	68
IM 2500 A	3.5	4620	0.742 / 3.29	58	73
IG 1500 A	3.8	3200	0.856 / 3.80	58	60
IG 2000 A	3.8	4800	1.284 / 5.70	59	78
IG 2500 A	3.8	5600	1.498 / 6.65	60	83
IECG 1500 A	4.2	3600	0.300 / 2.60	62	60
IECG 2000 A	4.2	5400	0.450 / 3.90	63	78
IECG 2500 A	4.2	6300	0.525 / 4.55	64	83

Electrically heated

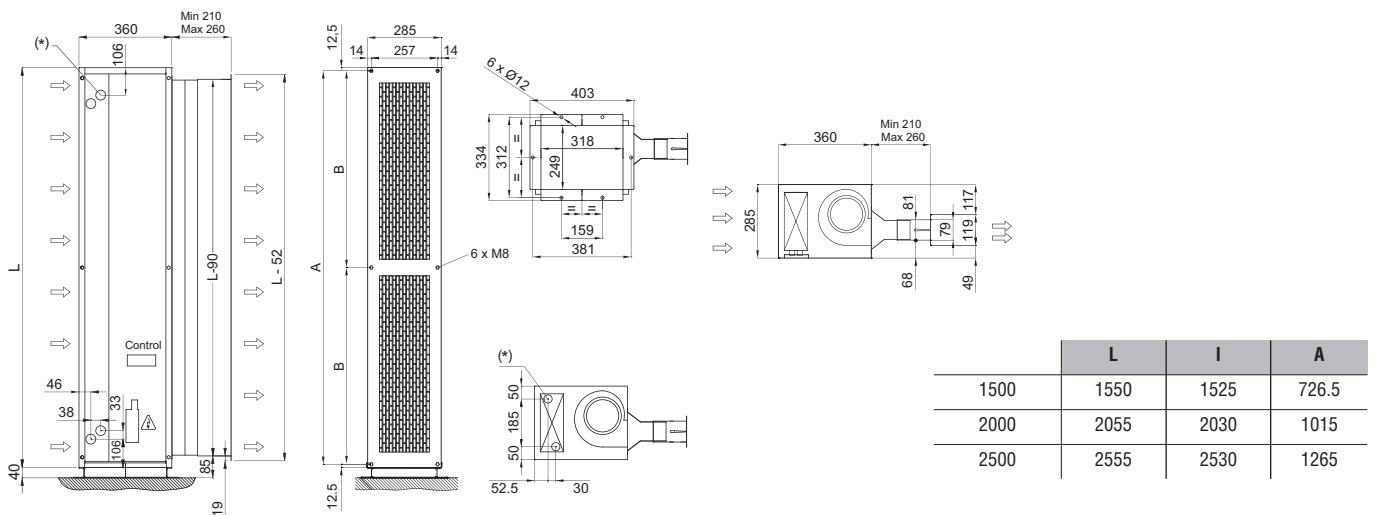
Model	Max mounting height m	Airflow m³/h	Electrical heating capacity 400Vx3-50Hz kW	Power/current fans 230V-50Hz kW/A	Noise level (@5m) dB(A)	Weight kg
IM 1500 E	3.5	2640	4/8/12	0.424 / 1.88	56	67
IM 2000 E	3.5	3960	6/12/18	0.636 / 2.82	57	86
IM 2500 E	3.5	4620	6/12/18	0.742 / 3.29	58	93
IG 1500 E	3.8	3200	7.5/15/22.5	0.856 / 3.80	58	73
IG 2000 E	3.8	4800	10/20/30	1.284 / 5.70	59	96
IG 2500 E	3.8	5600	10/20/30	1.498 / 6.65	60	103
IECG 1500 E	4.2	3600	7.5/15/22.5	0.300 / 2.60	62	73
IECG 2000 E	4.2	5400	10/20/30	0.450 / 3.90	63	96
IECG 2500 E	4.2	6300	10/20/30	0.525 / 4.55	64	103

Water heated

Model	Max mounting height m	Airflow m³/h	P86		P64		P54		Power/current fans 230V-50Hz kW/A	Noise level (@5m) dB(A)	Weight kg
			Water heating capacity 80/60°C kW	Water drop pressure 80/60°C Pa	Water heating capacity 60/40°C kW	Water drop pressure 60/40°C Pa	Water heating capacity 50/40°C kW	Water drop pressure 50/40°C Pa			
IM 1500 P	3.5	2480	14.23	760	13.65	6430	14.30	4460	0.424 / 1.88	56	63
IM 2000 P	3.5	3720	22.17	2190	19.70	5470	20.24	2380	0.636 / 2.82	57	78
IM 2500 P	3.5	4340	27.69	4000	23.48	4060	25.12	4280	0.742 / 3.29	58	86
IG 1500 P	3.8	3000	16.02	940	15.47	8020	16.37	5670	0.856 / 3.80	58	69
IG 2000 P	3.8	4500	24.92	2700	22.29	6810	23.15	3030	1.284 / 5.70	59	89
IG 2500 P	3.8	5250	31.16	4930	26.61	5060	28.76	5450	1.498 / 6.65	60	94
IECG 1500 P	4.2	3400	17.29	1070	16.77	9240	17.86	6620	0.300 / 2.60	62	69
IECG 2000 P	4.2	5100	26.86	3080	24.14	7850	25.24	3530	0.450 / 3.90	63	89
IECG 2500 P	4.2	5950	33.63	5650	28.84	5840	31.38	6360	0.525 / 4.55	64	94

P86 - 2 rows coil, 2 x ¾" female connector. P64 - 3 rows coil, 2 x ¾" female connector. P54 - 4 rows coil, 2 x 1" male connector.

Layout and dimensions



(*) IN/OUT Water pipes connection (in water heated units)

Installation examples

