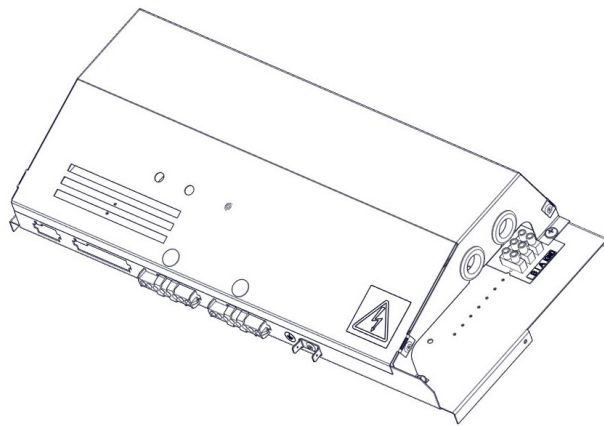




PARTNER  
IN VENTILATION  
2VV.CZ

EN

# FINESSE / STANDESSE SUPERIOR control



## Installation instruction

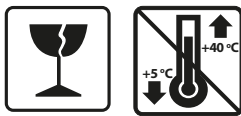


## CONTROL THE DELIVERY

### PLEASE NOTE

Check the product for damages immediately after delivery. In case of damage on the packaging, contact the carrier. Claims not filed in due time will be disregarded.

- Check that it corresponds to the type of product ordered. In case of discrepancy, do not unpack the product and contact the vendor.
- After unpacking, check that the product and all the other components are in good order. In case of doubt, contact the vendor.
- Do not install a damaged unit!
- If you will not unpack the product immediately after delivery, store it indoors, in a dry place with ambient temperatures between **+5 °C and +40 °C**.



	All the packaging material is environmentally friendly and can be reused or recycled. Contribute actively to the protection of the environment and ensure the proper disposal or recycling of the packaging materials.	
--	--	--

### PLEASE NOTE

- If the unit was transported in temperatures lower than 0°C, after unpacking, leave it in operational conditions for at least two hours without activating in order to compensate the inner temperature.

## 1. INSTALLATION

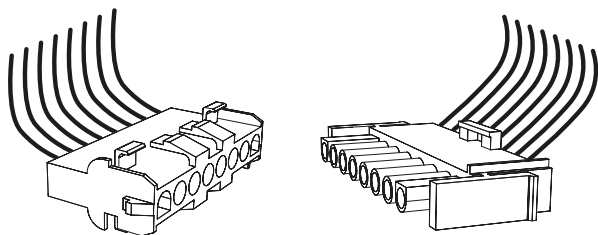
### 1.1 CONTROL MODULE

Air curtains FINESSE are produced with universal connection interface.

Air curtains FINESSE can be controlled by one of following control modules: BASIC, COMFORT, SUPERIOR.

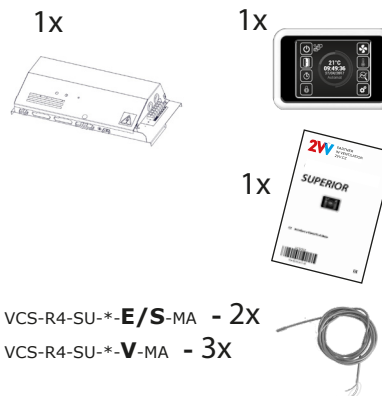
Control modules are required accessories and has to be orderot separately.

Air curtain is connected with control module by „Quick connection sockets“

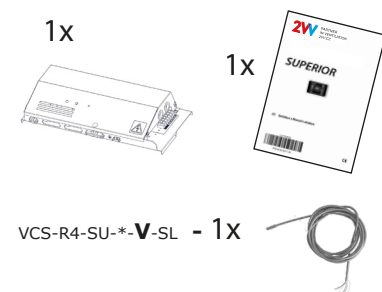


## PACKAGE CONTENTS

### SUPERIOR MASTER



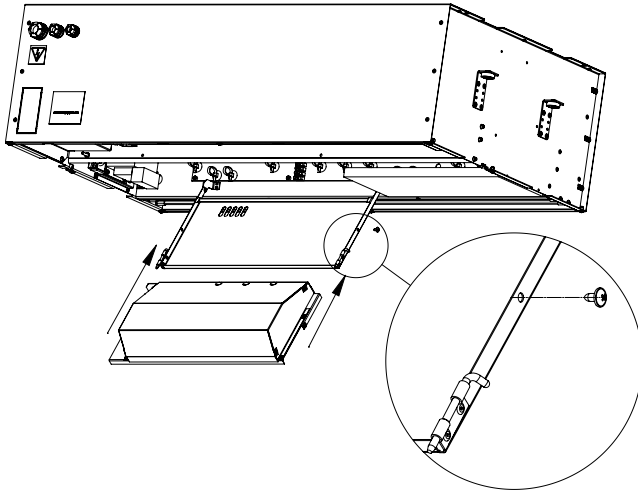
### SUPERIOR SLAVE



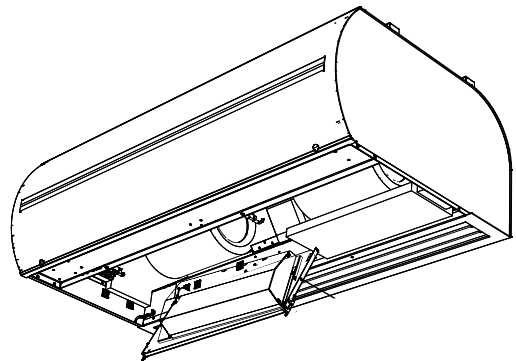
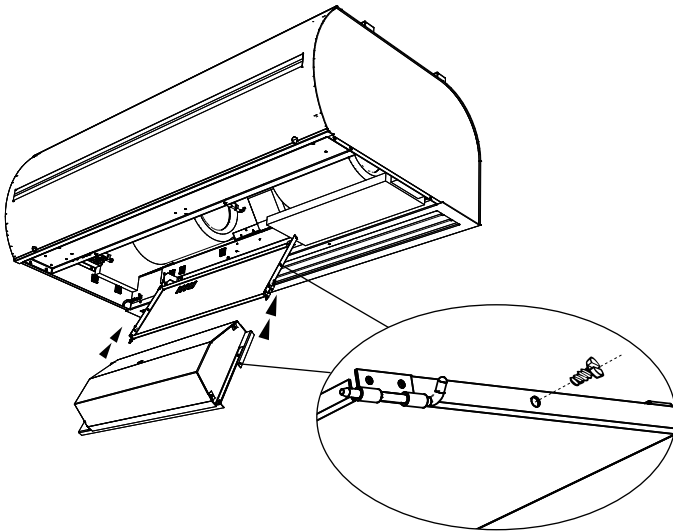
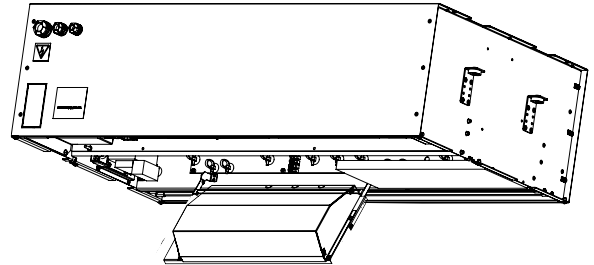
# 1. INSTALLATION

## INSERT CONTROL MODULE TO THE AIR CURTAIN

1



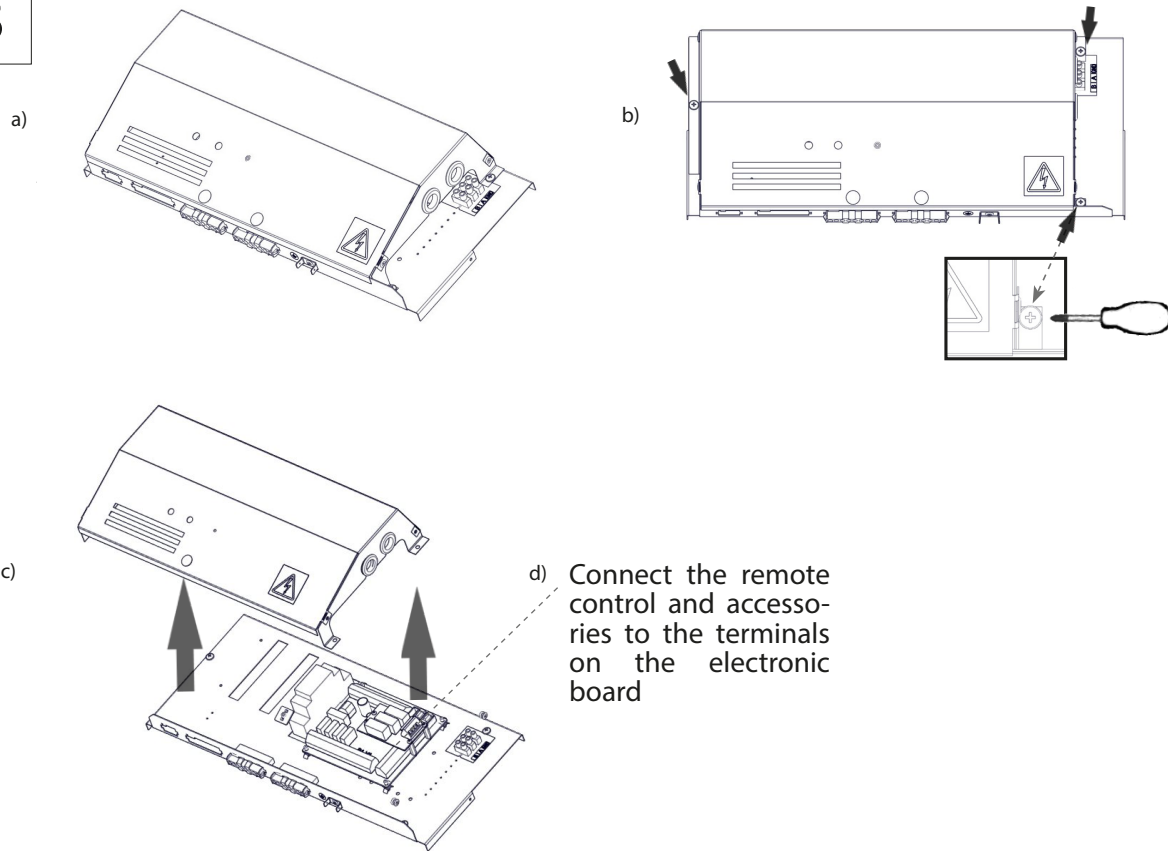
2



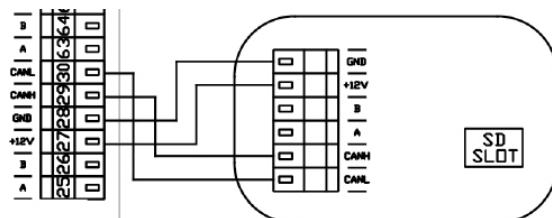
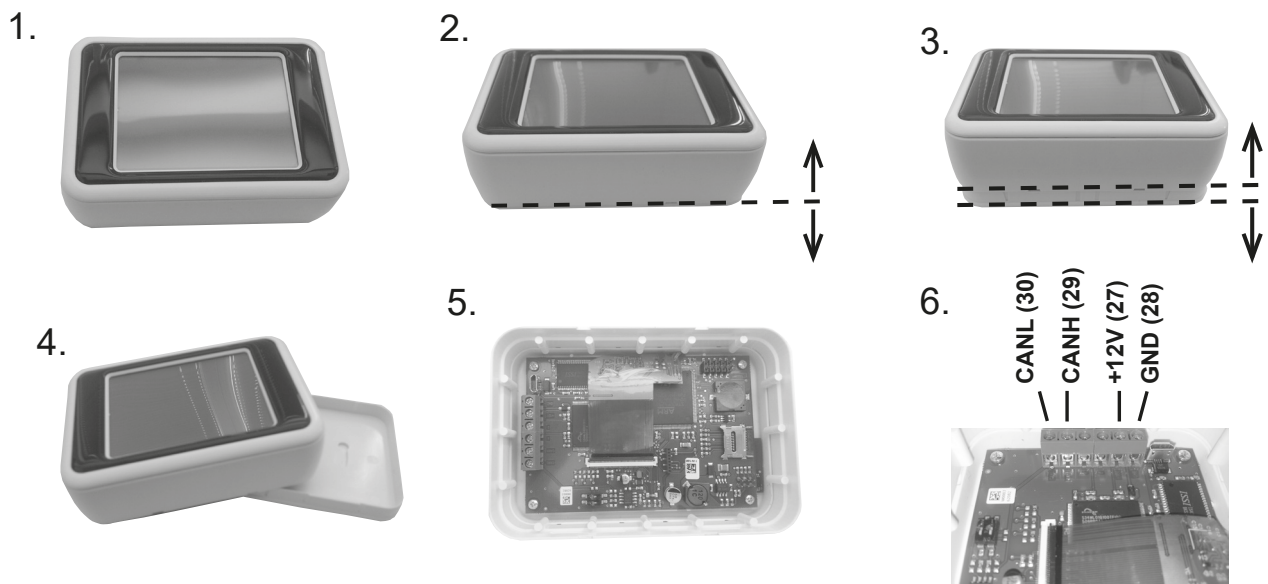
# 1. INSTALLATION

Connection to the regulation control panel and accessories

3



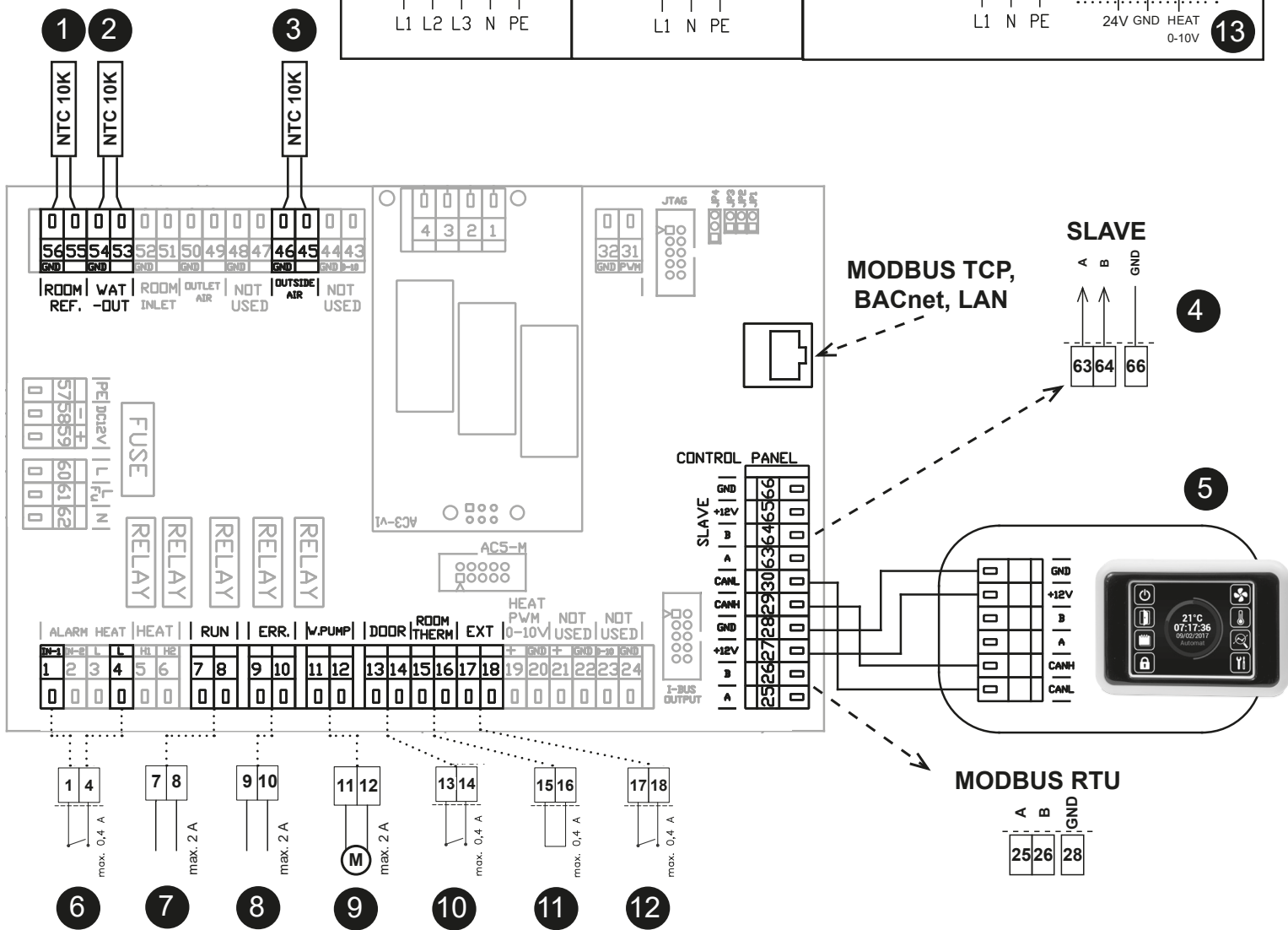
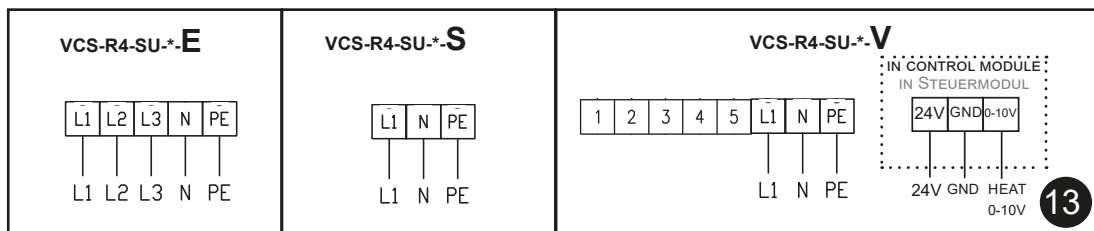
## 1.2 CONNECTING THE CONTROL



# 1. INSTALLATION

## 1.3 EXTERNAL ACCESSORIES

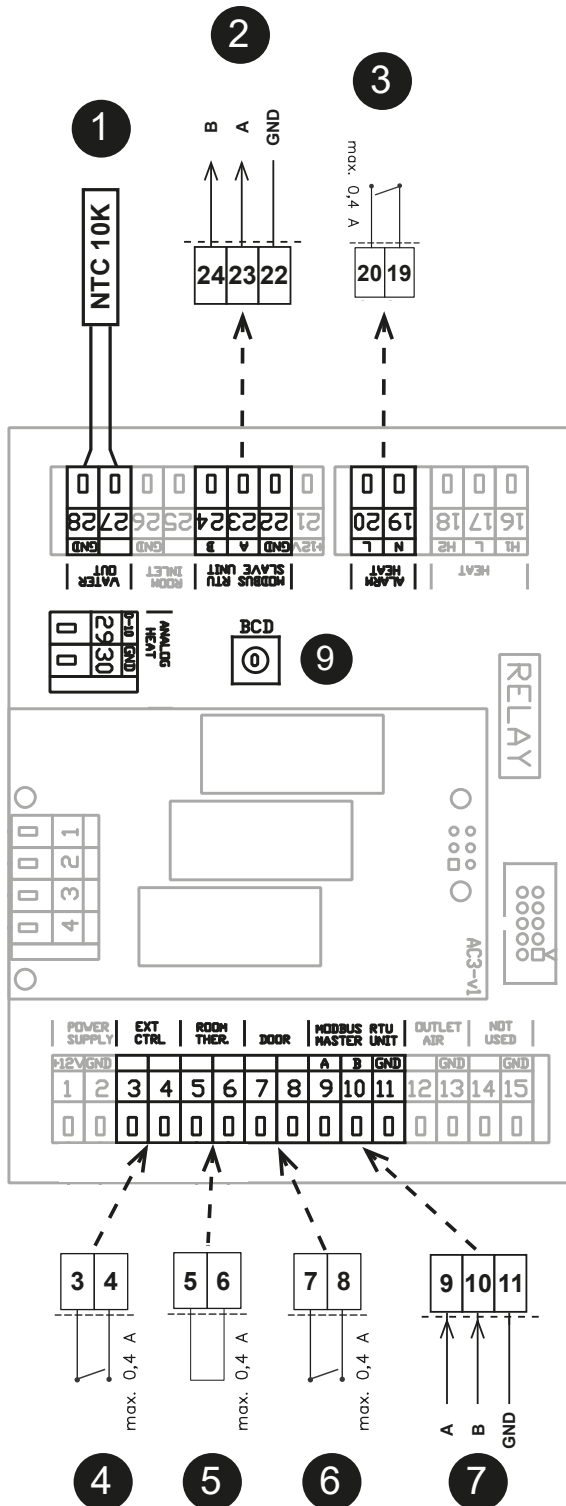
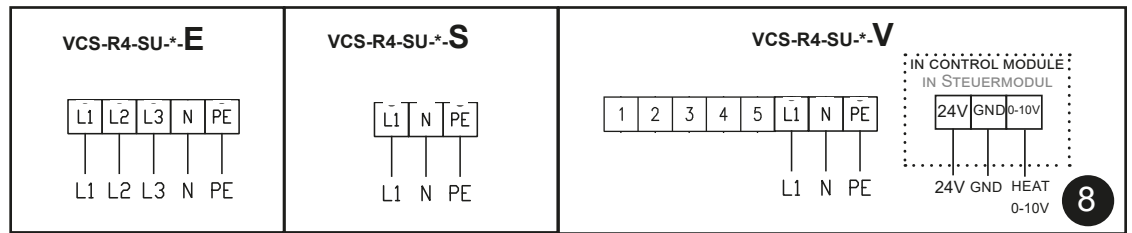
SUPERIOR MASTER



1	Room sensor (accessories)
2	LPHW out sensor (included in delivery)
3	Outside air sensor (included in delivery)
4	Signal to SLAVE unit
5	Control panel
6	Antifreeze thermostat (NC)
7	RUN contact (relay contact, NO/NC)
8	ERROR contact (relay contact, NO/NC)
9	Water pump (relay contact)
10	DOOR contact (input, NO/NC)
11	Room thermostat (input, NO/NC)
12	External control (input, NO/NC)
13	Water valve control (0-10V)

# 1. INSTALLATION

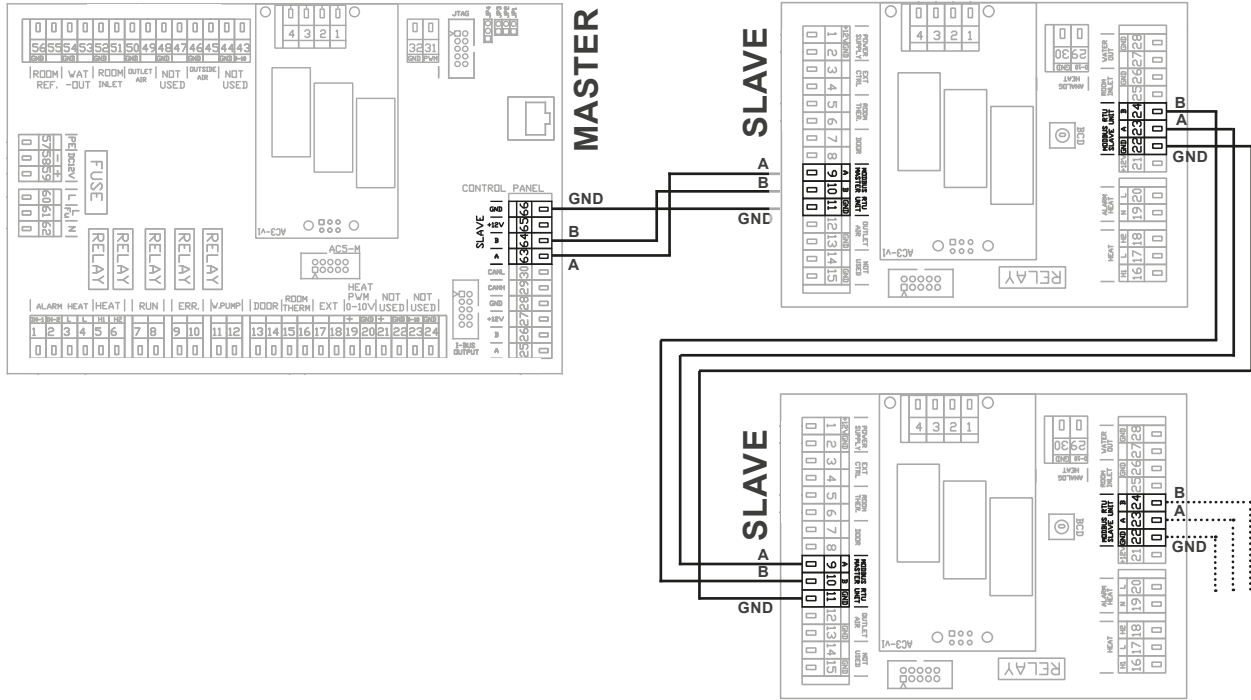
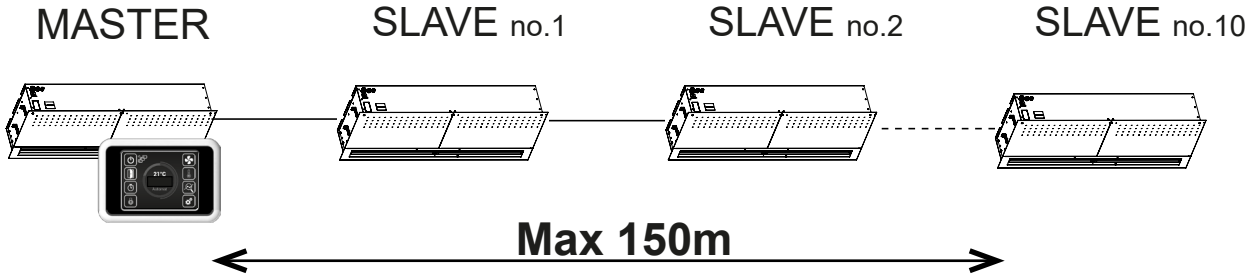
## SUPERIOR SLAVE



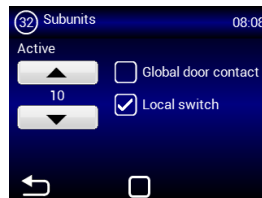
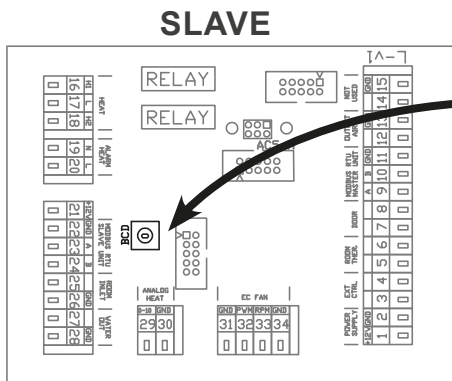
1	LPHW out sensor (included in delivery)
2	Signal to SLAVE unit
3	Antifreeze thermostat (NC)
4	External control - ON/OFF
5	Room thermostat (input)
6	DOOR contact (input)
7	Signal from MASTER unit
8	Water valve control (0-10V)

9	
SLAVE	BCD
1	1
2	2
3	3
4	4
5	5
SLAVE	BCD
6	6
7	7
8	8
9	9
10	A

# ELECTRICAL DRAWINGS - CHAINING



The total length of all chained air curtains must not exceed 150m!



SLA-VE	BCD	SLA-VE	BCD
NO.1	1	NO.6	6
NO.2	2	NO.7	7
NO.3	3	NO.8	8
NO.4	4	NO.9	9
NO.5	5	NO.10	A



## 2. EXTERNAL ACCESSORIES

### 2.1 CONNECTING EXTERNAL ACCESSORIES



#### PLEASE NOTE

- The unit must be disconnected from the power supply to connect accessories.
- All external control components must be connected according to the wiring diagram.
- The connectors must be connected to the electrical board with adequate force and always perpendicular to the base.

#### 2.1-1 DS door contact



#### TECHNICAL INFORMATION

- suitable for all SM regulation
- Isolated switching contact with maximum voltage 230V, 6A
- IP67, can be connected as a break or switching contact



#### CAUTION!

Not included with the product.

#### 2.1-2 DK-1 / DK-B3 door contact



#### TECHNICAL INFORMATION

- Isolated switching contact with maximum voltage 12V.
- Cable - Two-core cable with a cross section of 0,5 mm<sup>2</sup>. - Maximum length: 50 m



#### CAUTION!

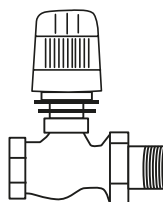
Not included with the product.

#### 2.1-3 Thermostatic valve – TV1/1



#### TECHNICAL INFORMATION

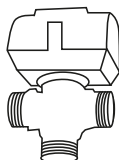
- Thermostatic valve to regulate the water exchanger
- Suitable for all types of curtain with water exchanger
- Works independent to the electronic controls



#### CAUTION!

Not included with the product.

#### 2.1-4 Zone valve ZV



#### TECHNICAL INFORMATION

- Zone valve to regulate the water exchanger 0-10V
- Cable - Four-core with a cross-section of 0.5 mm<sup>2</sup> Supply 24 V/ 50/60 Hz (24V external source, not included), control tension 0-10V

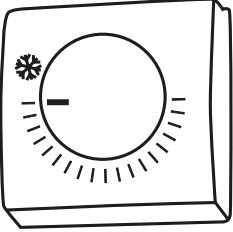


#### CAUTION!

Not included with the product.

## 2. EXTERNAL ACCESSORIES

### 2.1-5 Room thermostat - TER-P



#### TECHNICAL INFORMATION

- Room thermostat to regulate heating
- Cable - Two-core cable with a cross-section of 1.5 mm<sup>2</sup>, 230 V/ 50 Hz.



**CAUTION!**

**Not included with the product.**

## 3. COMMISSIONING



#### PLEASE NOTE

Before starting up the unit, check the following:

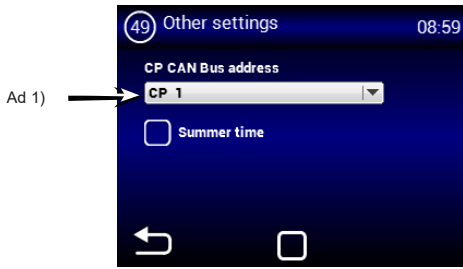
- Did you leave inside tools or objects that could damage the unit?
- Is the supply of energy and heating water (if applicable) adequate?
- Is the unit well closed?
- Is the control module properly connected?
- Does the unit have adequate protection according to the applicable standards?



**CAUTION!**

- Interventions or changes to the internal connections are forbidden and shall result in the loss of warranty.
- We recommend the use of accessories supplied by our company. Contact your supplier in case of doubts regarding the use of non-original accessories.

# 4. CONTROL PANEL'S



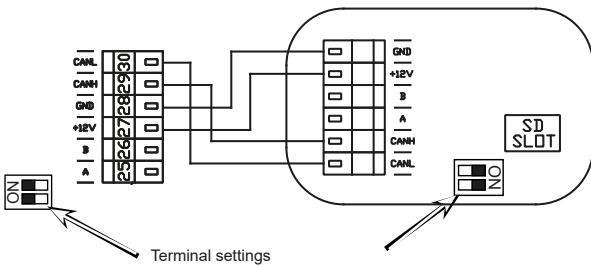
Ad 1) – Sets the CAN address of the control panel so up to 2 control panels may be connected to the MASTER regulator  
 Options: CP 1 = control panel's address is 1  
 CP 2 = control panel's address is 2

The address is set for each control, which then addressed according to it.

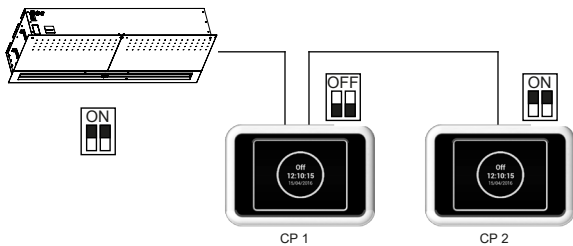
**CAUTION!**

Each panel must have its own address, otherwise it may result in the malfunction of the regulator.

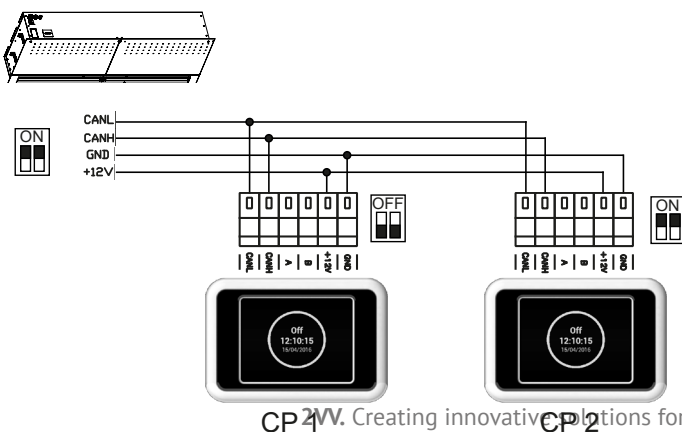
Terminals must be set if multiple panels are to be connected. They are found in the main electronics and the controller:



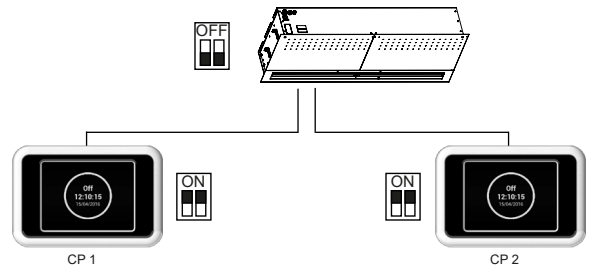
Example of controller connection – Option 1:



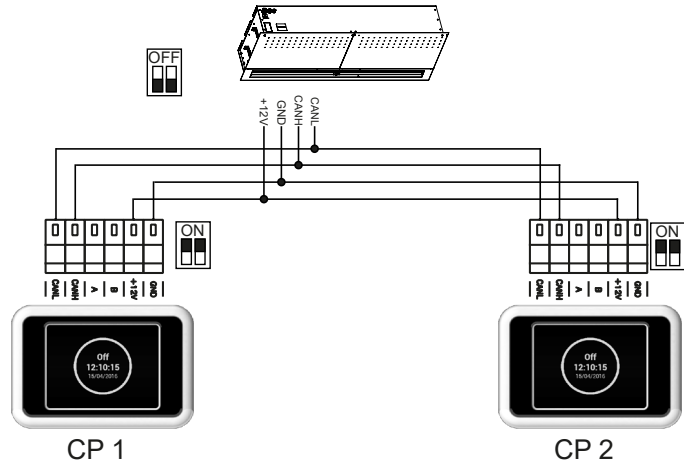
Electric connection – Option 1:



Electric connection – Option 2:



Electric connection – Option 2:



## 5. MALFUNCTIONS

### 5.1 MALFUNCTIONS

**Disconnect the main power supply before any intervention to the unit. If you are not sure of the correct steps, do not attempt to perform any repairs and call a professional service!**

Description	Unit behaviour	Likely problem	Solution
44 – Fan error	Unit out of order	Overheated fan or defect on thermal contact of inlet fan	Determine the cause of the overheating (defective bearing, short-circuit...) or replace the motor. Check the thermal contacts from the motor to the regulator.
45 – Mandatory maintenance/filter clogged	Unit operational	Filter clogged or the time to replace it has come	Replace filters. After replacing, do not forget to reset the MENU 1616 – FILTER TIMER
46 – Heater malfunction	Unit out of order	Heater malfunction	Check the heater and the condition of the safety thermostat Does the heater have proper cooling? Check engine running.
47 - malfunction in external temperature sensor (45,46)	Unit out of order	Temperature sensor malfunction on terminals 45,46	Check that the sensor is correctly connected to the electronics or test it measuring its resistance (the resistance value at +20°C is around 10kΩ)
48 – Outlet temperature sensor malfunction (49,50)	Unit out of order	Temperature sensor malfunction on terminals 49,50	Check that the sensor is correctly connected to the electronics or test it measuring its resistance (the resistance value at +20°C is around 10kΩ)
49 – Inlet temperature sensor malfunction (51,52)	Unit out of order	Temperature sensor malfunction on terminals 51,52	Check that the sensor is correctly connected to the electronics or test it measuring its resistance (the resistance value at +20°C is around 10kΩ)
60 – Exchanger's return sensor malfunction (53,54)	Unit out of order	Temperature sensor malfunction on terminals 53,54	Check that the sensor is correctly connected to the electronics or test it measuring its resistance (the resistance value at +20°C is around 10kΩ)
61 – Room temperature sensor malfunction (55,56)	Unit out of order	Temperature sensor malfunction on terminals 55,56	Check that the sensor is correctly connected to the electronics or test it measuring its resistance (the resistance value at +20°C is around 10kΩ)
62 - malfunction in external temperature sensor from BMS	Limited operation of the device	Temperature sensor malfunction in BMS	Check that in the BMS that the address where the sensors sends the data is properly set (on the right regulator) Check the function of the sensor in the BMS
63 - malfunction in room temperature sensor from BMS	Limited operation of the device	Temperature sensor malfunction in BMS	Check that in the BMS that the address where the sensors sends the data is properly set (on the right regulator) Check the function of the sensor in the BMS
79 – Heating reduced due to low air flow	Unit operational	Only information	The air flow settings were reduced, limiting the heater output to prevent overheating
65 – Communication error	Unit out of order	Communication error	Check the communication cable for damages and if it is properly connected Observe the wiring diagram to prevent occurrences that may disrupt communication (wiring near high tension, phenomena on site causing disruptions)
<b>Unit's not working</b>	Unit out of order	Power supply interrupted	Check that the power supply is not interrupted
		Cracked fuse	Check the fuse in side the control module
<b>The heating switches off automatically</b>	Unit operational but not heating	The heater overheats	The heater overheats due to insufficient air flow. Check that the ventilators are in good order and that the air supply is not disrupted.

## 6. MAINTENANCE

### 6.1 CLEANING



**CAUTION!**

- Do not use compressed air, chemicals, solvents or water to clean the unit.
- Use a soft brush or a vacuum cleaner to clean the suction cover and the inside of the unit.
- See the installation manual of the ESSENSSE NEO curtain

## 7. SERVICE

### 7.1 IF YOU ARE UNABLE TO REPAIR THE UNIT

If you were unable to solve a problem, contact the supplier or the representative of 2VV. Warranty and post-warranty service are provided by the supplier or an authorised service included in the list available at the supplier's.

Give the following information to the supplier or service:

- **type designation of the air curtain**
- **accessories in use**
- **place of installation**
- **serial number**
- **conditions of the installation (incl. electrical)**
- **period of operation**
- **detailed description of the malfunction**

### 7.2 – DECOMMISSIONING THE PRODUCT – LIQUIDATOIN

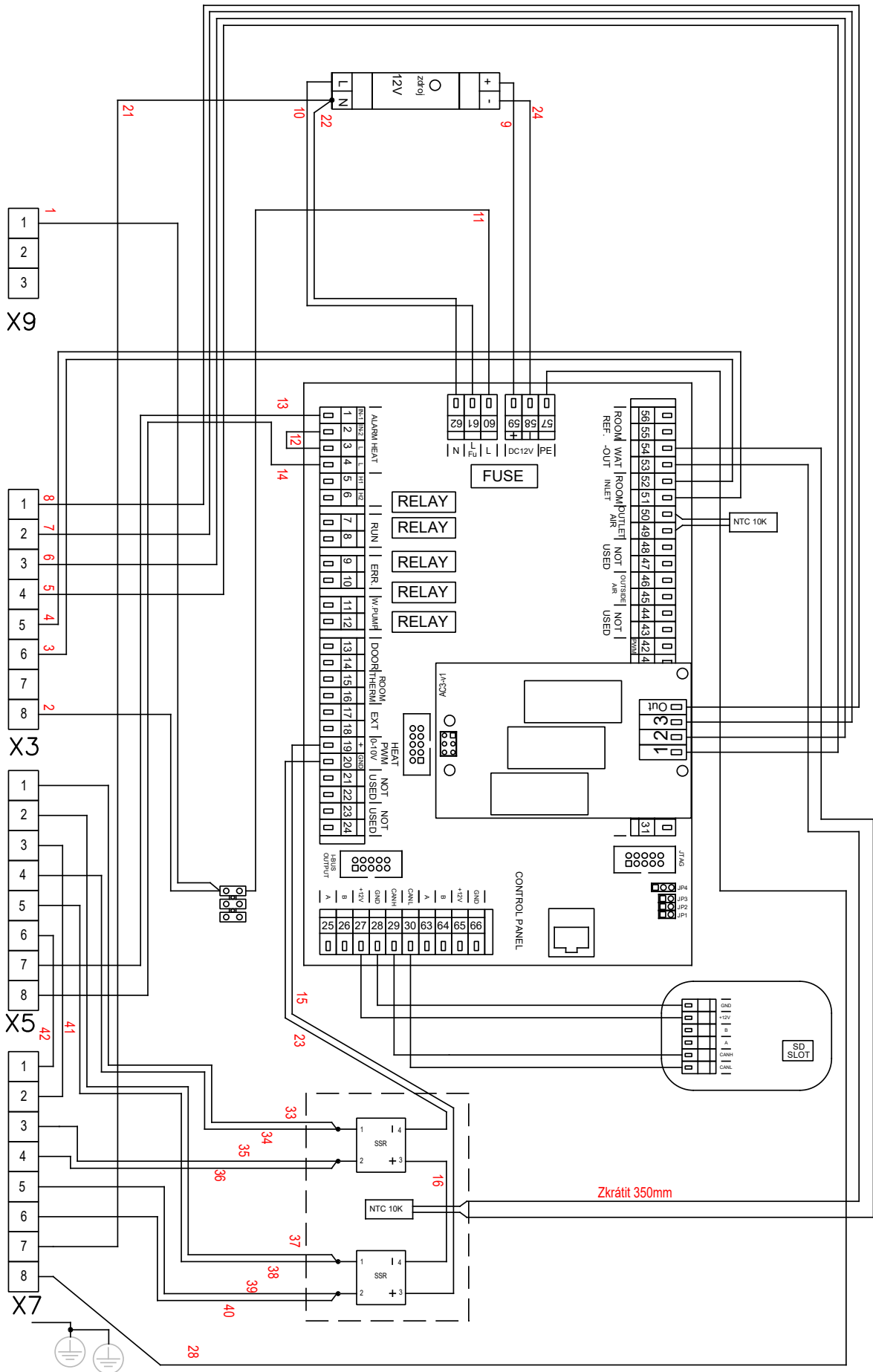
Before scrapping the product, make it unusable. Old products still have raw materials that can be reused. Take them to a collection centre for secondary raw materials. It is preferable to have the product liquidated by a specialist so that the recyclable materials may be reused. Take the unusable parts to an appropriate waste disposal site.



The liquidation of materials must observe the applicable waste management regulations.

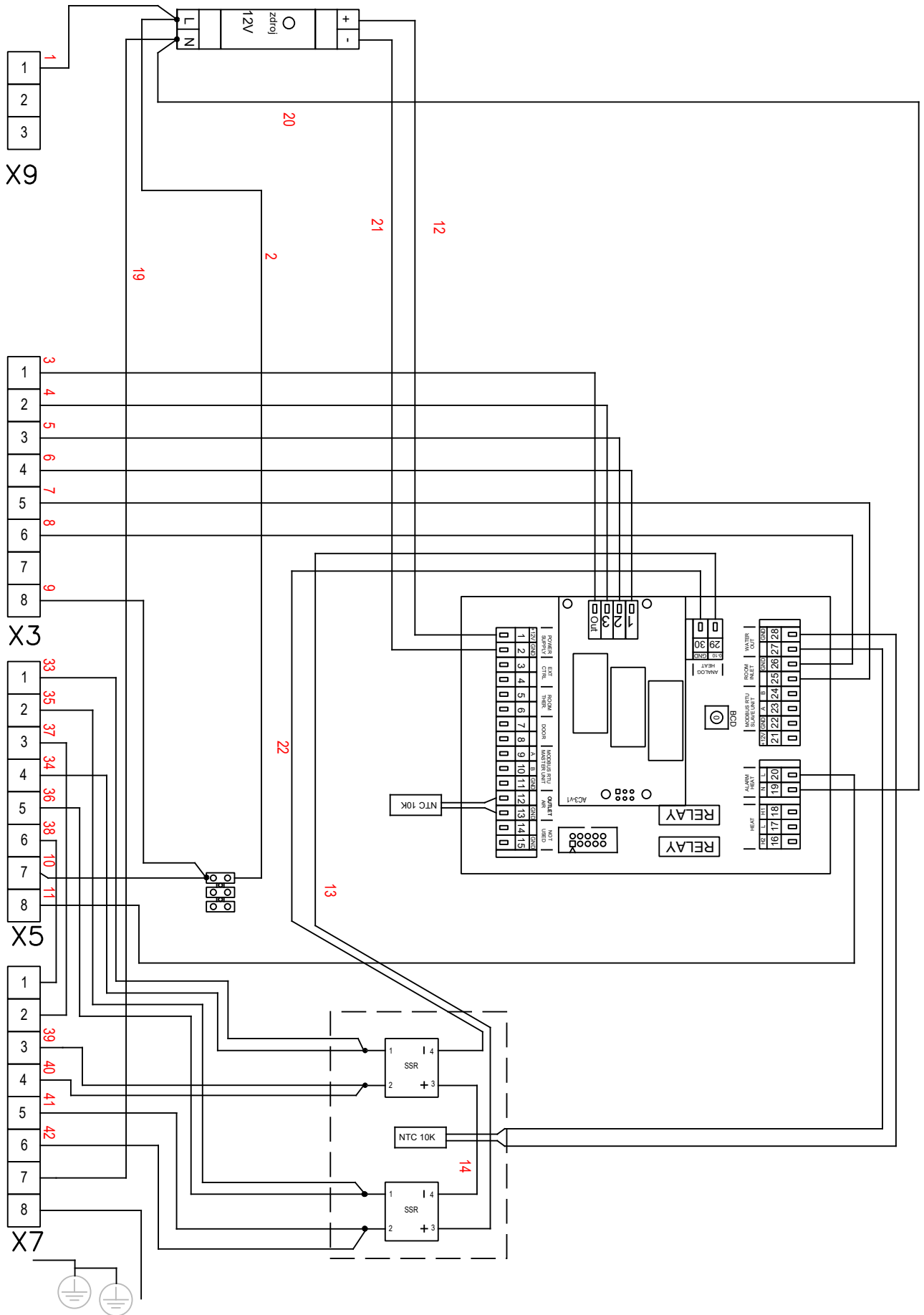
# 8. WIRING DIAGRAM

## VCS-R4-SU-E-MA-AC



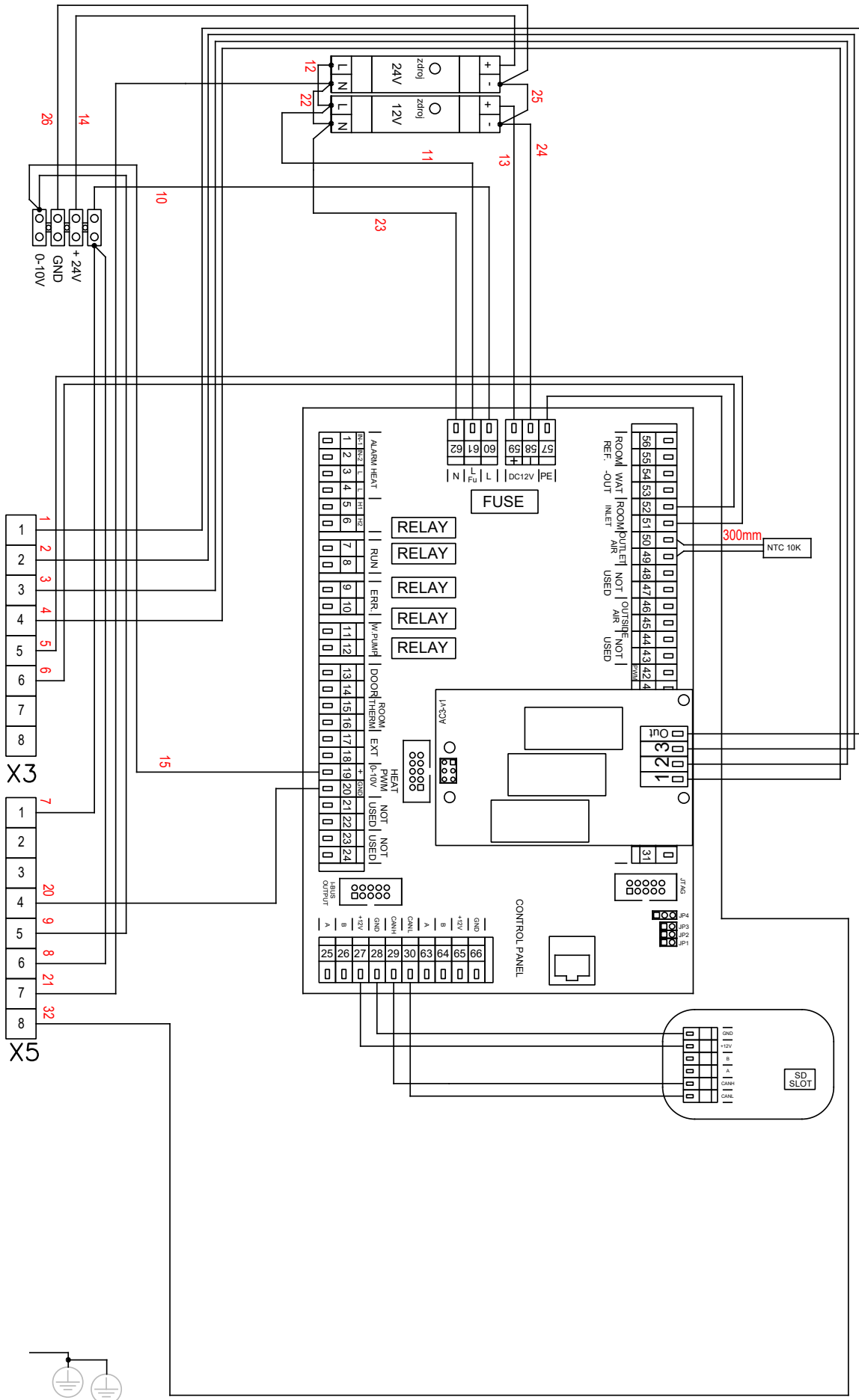
# 8. WIRING DIAGRAM

VCS-R4-SU-E-SL-AC



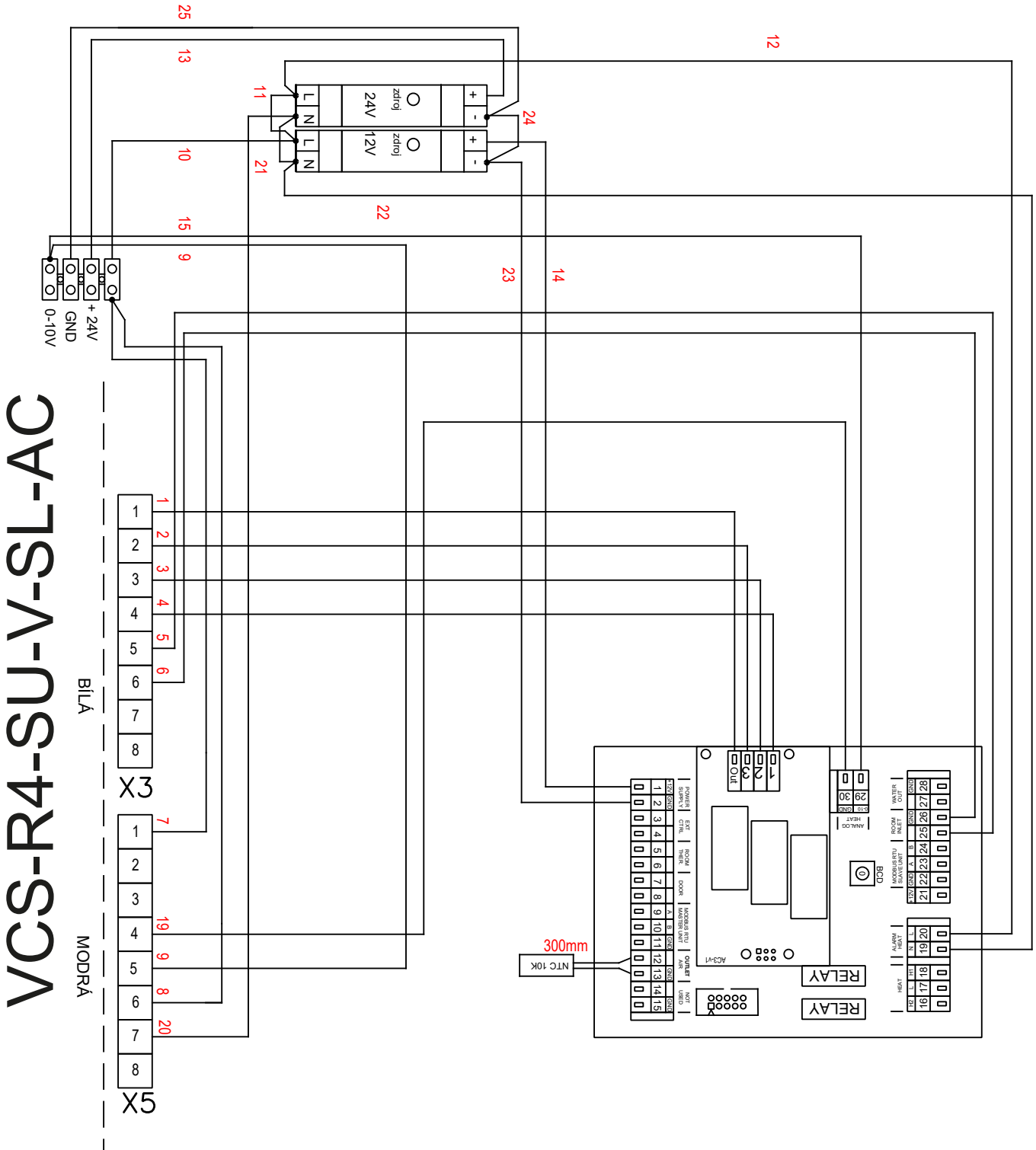
# 8. WIRING DIAGRAM

## VCS-R4-SU-V-MA-AC



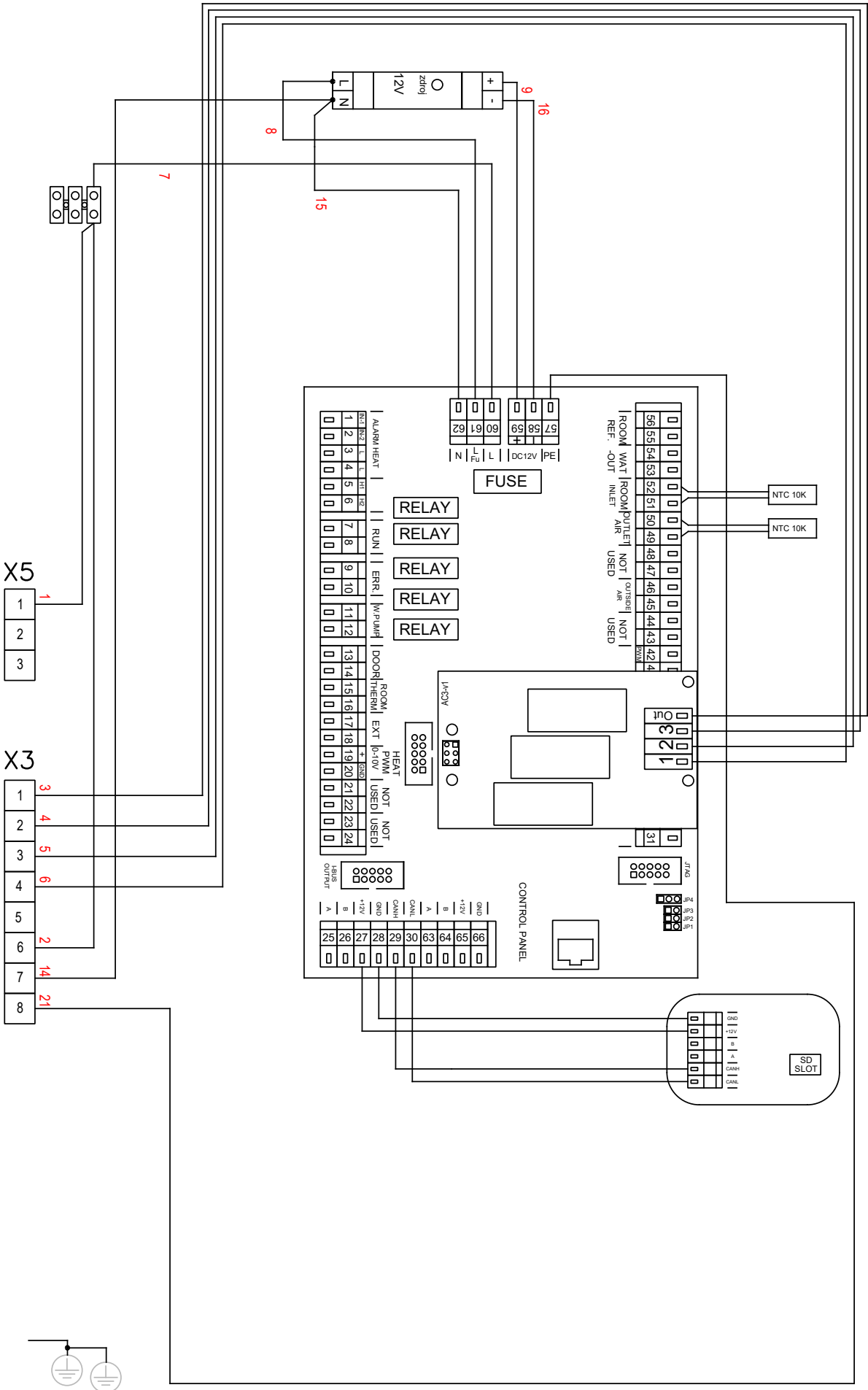


# 8. WIRING DIAGRAM



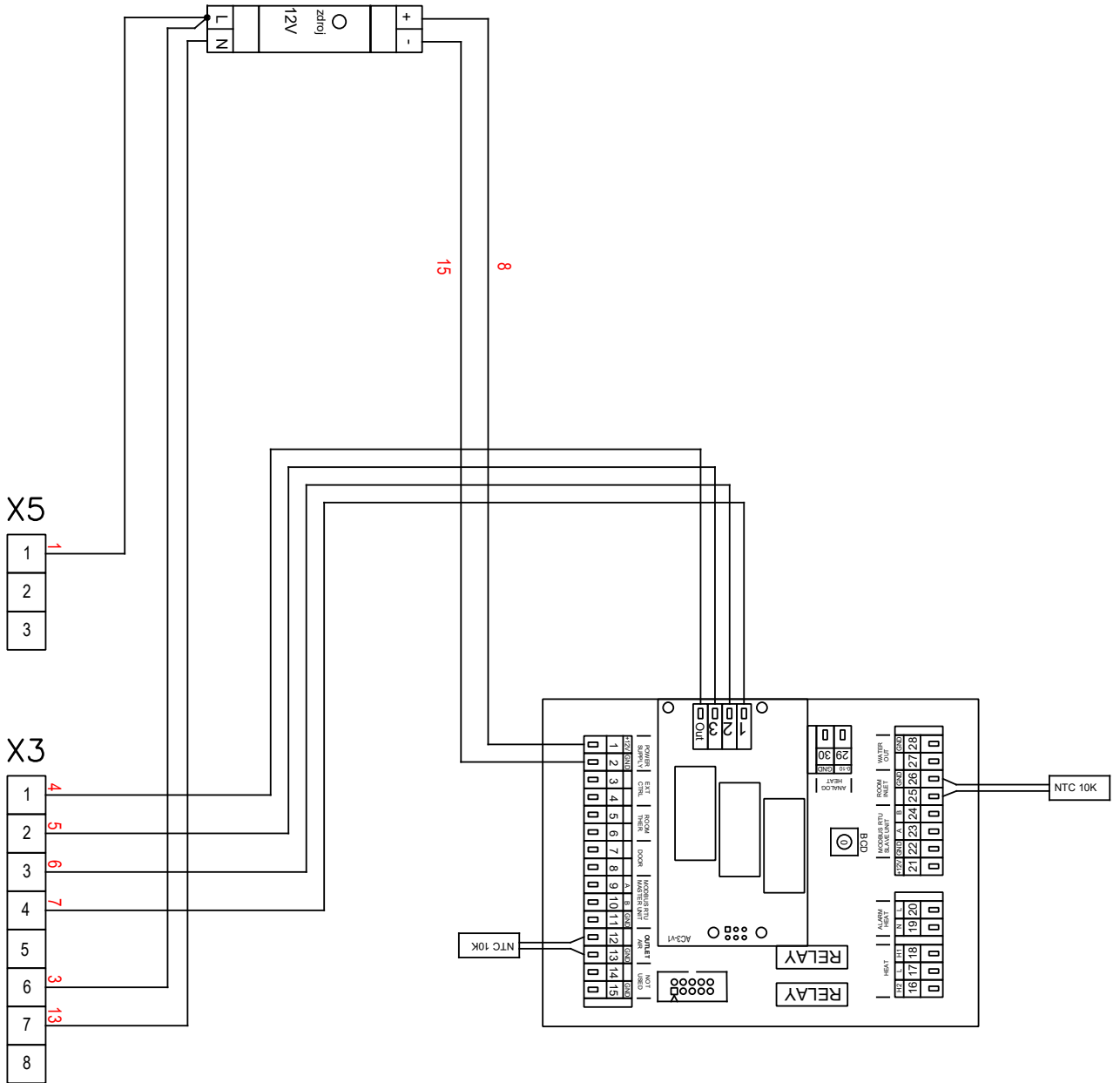
# 8. WIRING DIAGRAM

## VCS-R4-SU-S-MA-AC



# 8. WIRING DIAGRAM

## VCS-R4-SU-S-SL-AC



## 9. CONCLUSION

### 9. CONCLUSION

In case of any doubt or query, do not hesitate to contact our sales or technical support departments.

#### CONTACT

**Address:**

2VV, s.r.o.,  
Fáblovka 568,  
533 52 Pardubice,  
Česká republika

**Internet:**

<http://www.2vv.cz/>

