



Option available

A high performance and visually attractive air curtain with adjustable air outlets. Air is blown out steadily at high pressure through the unique "straw system" outlet with greater air flow to provide the best possible seal across a doorway.

The inlet grille acts as an air filter removing dust and airborne contaminants. The grille can be periodically wiped or vacuumed, ensuring easy maintenance.

The Comfort controller is supplied as standard, which manually adjusts the air curtain's performance efficiently to any application. Option to upgrade to the advanced Superior controller offering automatic control.

The Essensse Neo is suitable for a range of environments from small shops and restaurants to office buildings and banks.

<p><b>COLOURS AVAILABLE</b> White RAL9010 (standard) Any RAL colour</p>	<p><b>MOUNTING OPTIONS</b> Horizontal</p>	<p><b>MAX DOOR HEIGHT</b> 2.8m</p>	<p><b>FAN OPTIONS</b> AC fan EC fan</p>	<p><b>HEATING OPTIONS</b> Electric LPHW</p>	<p><b>LENGTHS AVAILABLE</b> 1.0m 1.5m 2.0m 2.5m</p>
---	---	--	---	---	---



## Electrically heated

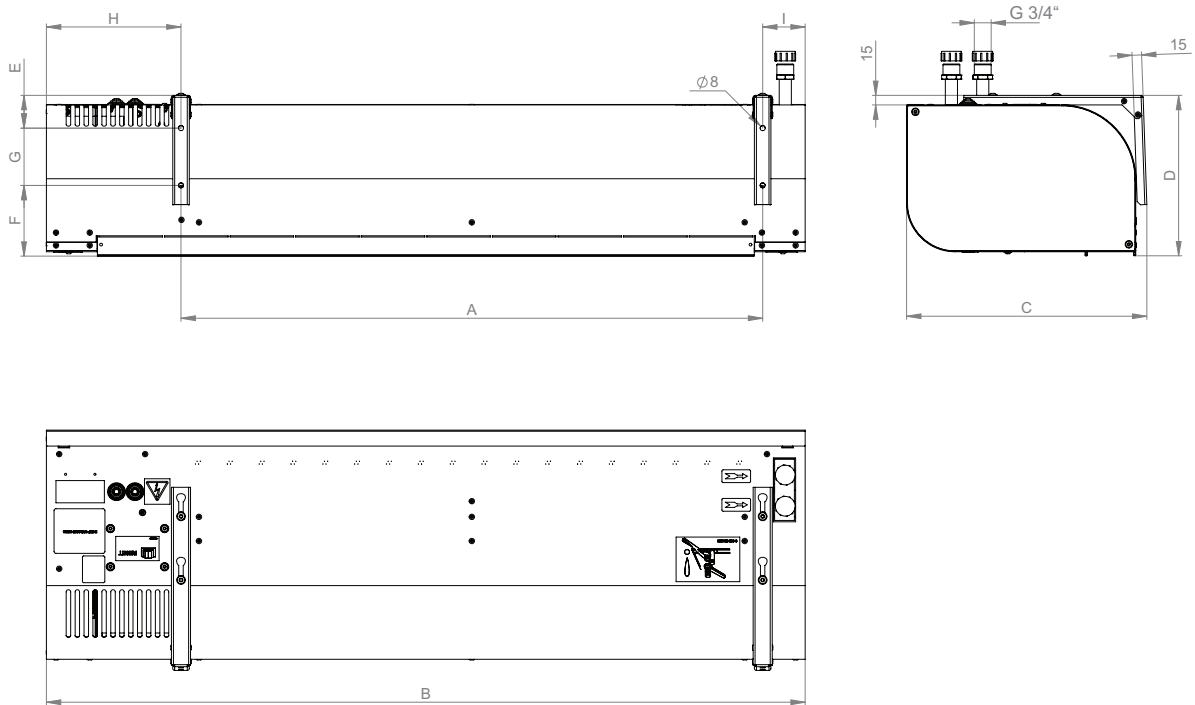
Model	Max mounting height m	Airflow m³/h	Electrical heating 400Vx3-50Hz kW	Power/current fans kW/A	Noise level (@5m) dB(A)	Weight kg
VCES2B-100-E1	2.8	1500	6.3	0.17 / 0.7	53.8	25.5
VCES2B-150-E1	2.8	2250	10	0.24 / 1	55.1	32.6
VCES2B-200-E1	2.8	3300	12.6	0,37 / 1,6	56.8	39.8
VCES2B-250-E1	2.8	3800	16.3	0,37 / 1,6	58.6	46.9
VCES2B-100-E2	2.8	1500	9.5	0.17 / 0.7	53.8	25.7
VCES2B-150-E2	2.8	2250	15	0.24 / 1	55.1	32.9
VCES2B-200-E2	2.8	3300	19	0,37 / 1,6	56.8	40.3
VCES2B-250-E2	2.8	3800	24.5	0,37 / 1,6	58.6	47.5
VCES2B-100-E2EC	2.8	1890	10.35	0.125 / 0.56	53.8	22
VCES2B-150-E2EC	2.8	2630	16.37	0.165 / 0.72	55.1	29
VCES2B-200-E2EC	2.8	3700	20.69	0,222 / 0,94	56.8	36
VCES2B-250-E2EC	2.8	4340	24.22	0.292 / 1.24	58.6	48

## Water heated

Model	Max mounting height m	Airflow m <sup>3</sup> /h	P86		P64		Power/current fans 230V-50Hz kW/A	Noise level (@3m) dB(A)	Weight kg
			Water heating capacity 80/60°C kW	Water drop pressure 80/60°C Pa	Water heating capacity 60/40°C kW	Water drop pressure 60/40°C Pa			
VCES2B-100-V	2.8	1500	14.1	10300	8.27	4120	0.14 / 0.6	53.8	26.1
VCES2B-150-V	2.8	2250	20.58	7260	11.86	2750	1.16 / 0.7	55.1	32.9
VCES2B-200-V	2.8	3300	29.79	10590	17.26	4020	0.18 / 0.8	56.8	40.1
VCES2B-250-V	2.8	3800	36.22	16680	21.33	6470	0.18 / 0.8	58.6	47.4
VCES2B-100-V2EC	2.8	1780	15.78	12650	9.17	5000	0.109 / 0.5	53.8	26.1
VCES2B-150-V2EC	2.8	2540	22.31	8440	12.79	3140	1.54 / 0.68	55.1	32.9
VCES2B-200-V2EC	2.8	3600	31.57	11770	18.19	4410	0.2 / 0.9	56.8	40.1
VCES2B-250-V2EC	2.8	4280	38.58	18740	22.62	7260	0.27 / 1.15	58.6	47.4

2 x ½" connections. \*tested to ISO 27327-1

## Layouts and dimensions



	A	B	C	D	E	F	G	H	I
VCES2x-100-	913	1190	377	252	51	111	90	211	67
VCES2x-150-	1321	1600	377	252	51	111	90	211	67
VCES2x-200-	1822	2100	377	252	51	111	90	211	67
VCES2x-250-	2232	2510	377	252	51	111	90	211	67