



This attractive and economic air curtain can be supplied with or without a heating feature.

A special design air outlet provides the best possible seal across a doorway. The inlet grille acts as an air filter removing dust and airborne contaminants. The grille can be periodically wiped or vacuumed, ensuring easy maintenance.

The Essensse is suitable for a range of environments from small shops and restaurants to office buildings and banks.

A standard manual controller and 5 metres of control cable are included. A wireless controller option is also available.

COLOURS AVAILABLE White RAL9010 (standard) Any RAL colour	MOUNTING OPTIONS Horizontal	MAX DOOR HEIGHT 2.8m	FAN OPTIONS AC fan	HEATING OPTIONS Electric LPHW Air only	LENGTHS AVAILABLE 1.0m 1.5m 2.0m
--	---------------------------------------	--------------------------------	------------------------------	--	--

Air only

Model	Max mounting height m	Airflow m³/h	Power/current fans 230V-50Hz kW/A	Noise level (@5m) dB(A)	Weight kg
VCE-B-100-S	2.8	1500	0.14 / 0.6	52	15
VCE-B-150-S	2.8	2200	0.16 / 0.7	54.2	20
VCE-B-200-S	2.8	2900	0.18 / 0.8	53.2	24

Electrically heated

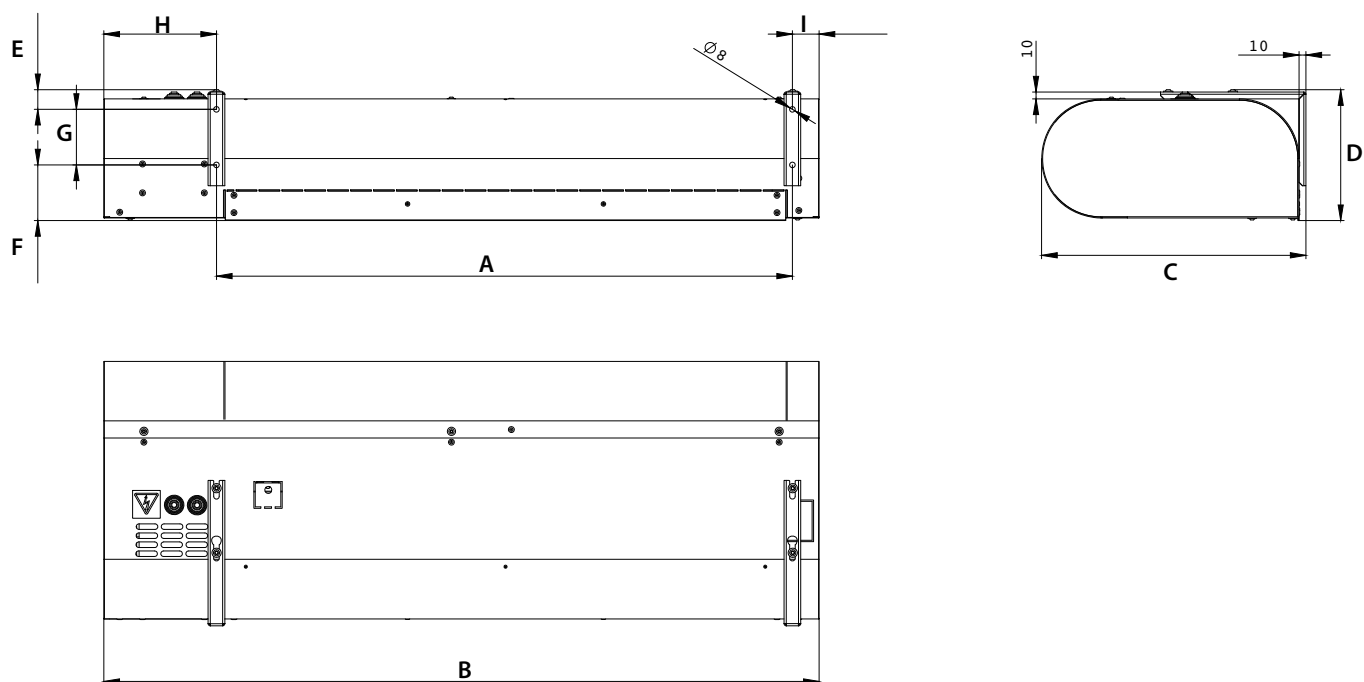
Model	Max mounting height m	Airflow m³/h	Electrical heating capacity 400Vx3-50Hz kW	Power/current fans 230V-50Hz kW/A	Noise level (@5m) dB(A)	Weight kg
VCE-B-100-E	2.8	1450	5.9	0.14 / 0.6	51.5	16
VCE-B-150-E	2.8	2150	10	0.16 / 0.7	52.6	22
VCE-B-200-E	2.8	2800	12.5	0.18 / 0.8	53.0	27
VCE-B-100-F	2.8	1450	9.4	0.14 / 0.6	55.9	16
VCE-B-150-F	2.8	2150	15.1	0.16 / 0.7	52.6	22
VCE-B-200-F	2.8	2800	19.1	0.18 / 0.8	53.0	27
VCE-B-100-G	2.8	1450	4.7	0.14 / 0.6	51.5	16
VCE-B-150-G	2.8	2150	7.6	0.16 / 0.7	52.6	22
VCE-B-200-G	2.8	2800	9.6	0.18 / 0.8	53.0	27

Water heated

Model	Max mounting height m	Airflow m³/h	P86		P64		Power/current fans 230V-50Hz kW/A	Noise level (@5m) dB(A)	Weight kg
			Water heating capacity 80/60°C kW	Water drop pressure 80/60°C Pa	Water heating capacity 60/40°C kW	Water drop pressure 60/40°C Pa			
VCE-B-100-V	2.8	1300	8	400	4.7	200	0.14 / 0.6	51.3	17
VCE-B-150-V	2.8	1900	13	2000	7.7	1000	0.16 / 0.7	49.9	23
VCE-B-200-V	2.8	2550	18.6	2200	12.2	800	0.18 / 0.8	49.7	28

2 x ½" connections.

Layouts and dimensions



	A	B	C	D	E	F	G	H	I
VCE-B-100-	829	1030	381	189	29	80	80	163	38
VCE-B-150-	1330	1530	381	189	29	80	80	163	38
VCE-B-200-	1830	2030	381	189	29	80	80	163	38