

ESSENSSE NEO

EXPOSED



A low profile air curtain designed for horizontal installation at the entry doorways of retail shops, restaurants, office buildings and banks.

This next generation ESSENSSE NEO air curtain uses a cross-flow fan with 3-speed AC motor, or a new energy-efficient EC motor, controlled using PWM. Through its unique “straw system” outlet, air is released steadily at high pressure to provide the best possible seal across any doorway.

The inlet grille sits towards the top of the air curtain to provide a cleaner front face. It can be periodically wiped or vacuumed, ensuring easy maintenance.

The air curtain features our integrated AirGENIO PRIME control system. This allows for automatic control with manual override. This is a more sophisticated control system which maximises the air curtain’s efficiency while reducing energy usage.



Option available

<p>COLOURS AVAILABLE White RAL9016 (standard) Any RAL colour</p>	<p>MOUNTING OPTIONS Horizontal</p>	<p>MAX DOOR HEIGHT 2.8m</p>	<p>FAN OPTIONS AC fan EC fan</p>	<p>HEATING OPTIONS Electric LPHW</p>	<p>LENGTHS AVAILABLE 1.0m 1.5m 2.0m 2.5m</p>
---	---	--	---	---	---



Electrically heated

Model	Max mounting height m	Airflow m ³ /h*	Electrical heating 400Vx3-50Hz kW	Power/current fans kW/A	Noise level (@3m) dB(A)	Weight kg
VCES4 B 100-E1AC	2.8	1350	6.3	0.14/0.6	47	24.4
VCES4 B 150-E1AC	2.8	2200	10	0.21/0.9	48	30.4
VCES4 B 200-E1AC	2.8	3000	12.6	0.32/1.4	50	38.4
VCES4 B 250-E1AC	2.8	3500	16	0.41/2.0	50	45.4
VCES4 B 100-E2AC	2.8	1350	9.5	0.14/0.6	47	24.4
VCES4 B 150-E2AC	2.8	2200	15	0.21/0.9	48	30.4
VCES4 B 200-E2AC	2.8	3000	19	0.32/1.4	50	38.4
VCES4 B 250-E2AC	2.8	3500	24.5	0.41/2.0	50	45.4
VCES4 B 100-E1EC	2.8	2000	6.3	0.3/2.4	54	23.2
VCES4 B 150-E1EC	2.8	2700	10	0.4/3.0	54	29.6
VCES4 B 200-E1EC	2.8	3900	12.6	0.44/3.4	55	34.5
VCES4 B 250-E1EC	2.8	4800	16	0.44/3.4	56	41.5
VCES4 B 100-E2EC	2.8	2000	9.5	0.3/2.4	54	23.2
VCES4 B 150-E2EC	2.8	2700	15	0.4/3.0	54	29.6
VCES4 B 200-E2EC	2.8	3900	19	0.44/3.4	55	34.5
VCES4 B 250-E2EC	2.8	4800	24.5	0.44/3.4	56	41.5

* 1 Airflow volume according ISO27327-1

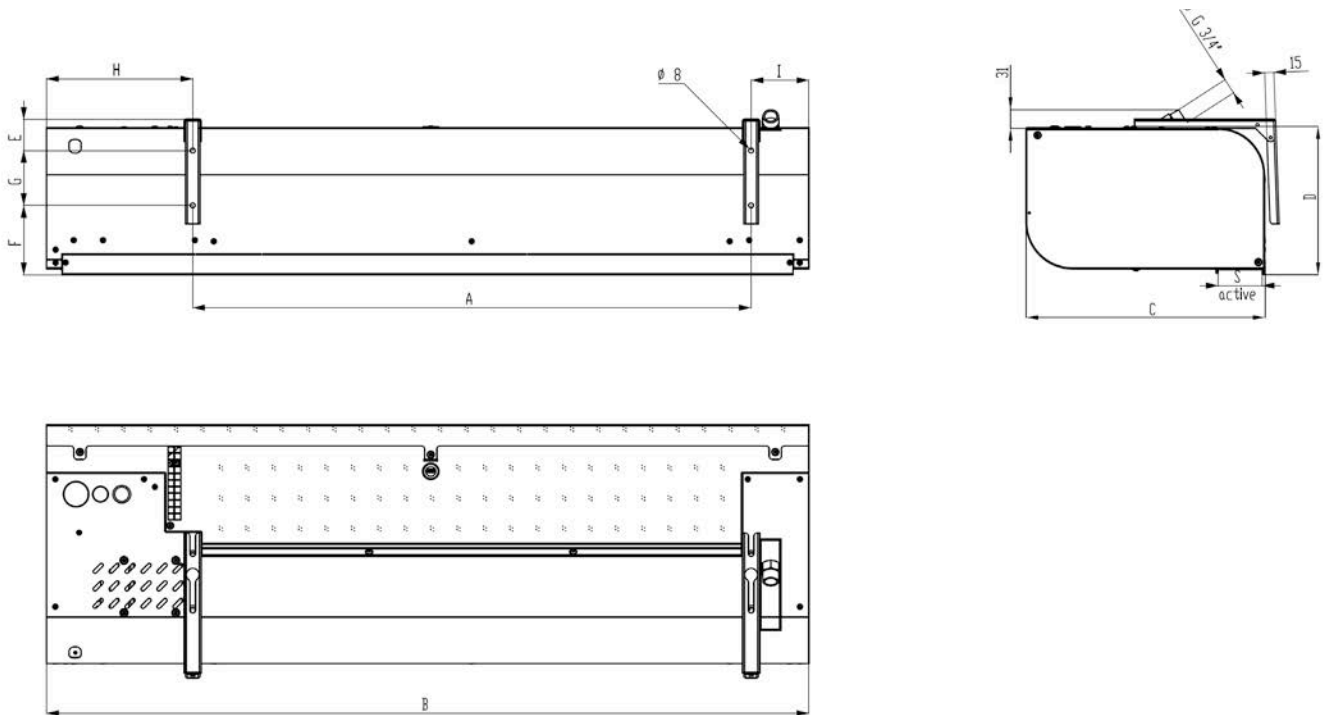
ESSENSSE NEO

Water heated

Model	Max mounting height m	Airflow m ³ /h*	Water heating capacity 80/60°C kW	Water drop pressure 80/60°C Pa	Water heating capacity 60/40°C kW	Water drop pressure 60/40°C Pa	Power/current fans 230V-50Hz kW/A	Noise level (@3m) dB(A)	Weight kg
VCES4 B 100-V2AC	2.8	1300	13.2	10500	7.4	3800	0.14/0.6	47	25.6
VCES4 B 150-V2AC	2.8	2000	19.4	7300	10.8	2500	0.21/0.9	48	32.1
VCES4 B 200-V2AC	2.8	2950	27.9	10200	15.6	3500	0.32/1.4	50	41.6
VCES4 B 250-V2AC	2.8	3700	35.3	17200	20.1	6200	0.41/2.0	51	48.6
VCES4 B 100-V2EC	2.8	1750	15.4	14000	8.6	5000	0.3/2.4	51	24.4
VCES4 B 150-V2EC	2.8	2450	21.5	8900	11.9	3000	0.4/3.0	51	31.3
VCES4 B 200-V2EC	2.8	3550	30.7	12200	17.1	4200	0.44/3.4	54	37.7
VCES4 B 250-V2EC	2.8	4200	37.7	19400	21.3	6900	0.44/3.4	55	44.7

* 1 Airflow volume according ISO27327-1

Layouts and dimensions



	A	B	C	D	E	F	G	H	I
VCES4 B 100	916	1252	407	252	51	111	90	240	95
VCES4 B 150	1325	1660	407	252	51	111	90	240	95
VCES4 B 200	1825	2160	407	252	51	111	90	240	95
VCES4 B 250	2235	2570	407	252	51	111	90	240	95