



Option available

A revolving door acts as a low-speed fan, forcing a mass of cold air into a room with each rotation. By combining an air curtain with a revolving door system, this cold air is prevented from entering.

Two types of tailor-made models are available. A room-side unit that is mounted above the door but blows across the inner opening and a room-side external unit that blows air across the inner opening but is mounted on the inside of the building.

It has a circular discharge jet with anodised aluminium lamellas and low noise centrifugal double inlet fans driven by an external rotor motor with built in thermal protection contact.

A standard manual controller, 7 metres of control cable and an IR handheld remote are included. Other control options available include the Clever controller or the BMS interface.

<p><b>COLOURS AVAILABLE</b></p> <p>White RAL9016 (standard) Any RAL colour Brushed stainless steel</p>	<p><b>MOUNTING OPTIONS</b></p> <p>Horizontal</p>	<p><b>MAX DOOR HEIGHT</b></p> <p>4.2m</p>	<p><b>FAN OPTIONS</b></p> <p>AC fan (standard) EC fan (option)</p>	<p><b>HEATING OPTIONS</b></p> <p>Electric LPHW Air only</p>	<p><b>LENGTHS AVAILABLE</b></p> <p>1.0m 2.0m 1.5m 2.5m</p>
--	--	---	--	---	--



### Electrically heated

Model	Max mounting height m	*Airflow m³/h	Electrical heating capacity 400Vx3-50Hz kW	Power/current fans 230V-50Hz kW/A	Noise level (@5m) dB(A)	Weight kg
ROTO G 1000 E	3.8	2400	5/10/15	0.642 / 2.85	57	-
ROTO G 1500 E	3.8	3200	7.5/15/22.5	0.856 / 3.80	58	-
ROTO G 2000 E	3.8	4800	10/20/30	1.284 / 5.70	59	-
ROTO G 2500 E	3.8	5600	10/20/30	1.498 / 6.65	60	-
ROTO ECG 1000 E	4.2	2700	5/10/15	0.225 / 1.95	61	-
ROTO ECG 1500 E	4.2	3600	7.5/15/22.5	0.300 / 2.60	62	-
ROTO ECG 2000 E	4.2	5400	10/20/30	0.450 / 3.90	63	-
ROTO ECG 2500 E	4.2	6300	10/20/30	0.525 / 4.55	64	-

\*tested to AMCA 220-05

## Water heated

Model	Max mounting height m	*Airflow m³/h	P86		P64		P54		Power/current fans 230V-50Hz kW/A	Noise level (@5m) dB(A)	Weight kg
			Water heating capacity 80/60°C kW	Water drop pressure 80/60°C Pa	Water heating capacity 60/40°C kW	Water drop pressure 60/40°C Pa	Water heating capacity 50/40°C kW	Water drop pressure 50/40°C Pa			
ROTO G 1000 P	3.8	2250	11.04	1230	10.42	6190	10.56	1790	0.642 / 2.85	57	-
ROTO G 1500 P	3.8	3000	16.02	940	15.47	8020	16.37	5670	0.856 / 3.80	58	-
ROTO G 2000 P	3.8	4500	24.92	2700	22.29	6810	23.15	3030	1.284 / 5.70	59	-
ROTO G 2500 P	3.8	5250	31.16	4930	26.61	5060	28.76	5450	1.498 / 6.65	60	-
ROTO ECG 1000 P	4.2	2550	11.89	1400	11.27	7110	11.50	2090	0.225 / 1.95	61	-
ROTO ECG 1500 P	4.2	3400	17.29	1070	16.77	9240	17.86	6620	0.300 / 2.60	62	-
ROTO ECG 2000 P	4.2	5100	26.86	3080	24.14	7850	25.24	3530	0.450 / 3.90	63	-
ROTO ECG 2500 P	4.2	5950	33.63	5650	28.84	5840	31.38	6360	0.525 / 4.55	64	-

P86 - 2 rows coil, 2 x ¼" female connector. P64 - 3 rows coil, 2 x ¼" female connector. P54 - 4 rows coil, 2 x 1" male connector. \*tested to AMCA 220-05

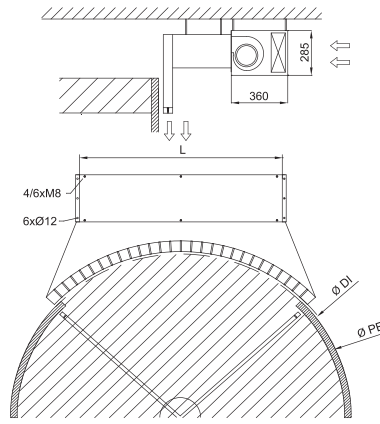
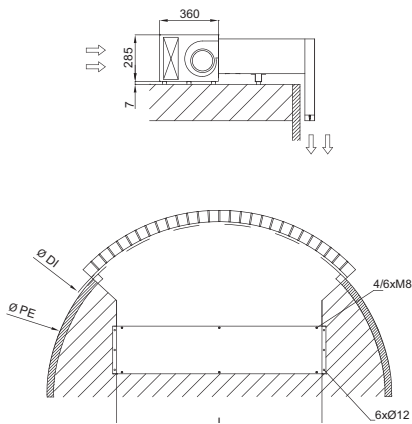
## Layouts and dimensions

Rotowind air curtains are tailor-made for any kind of revolving door.

Top of door mounting



False ceiling mounting



## Fixation system



Fixed onto the door



Hanging from ceiling mounting

## Fascia cover options



- RAL9016 standard
- Any RAL colour
- Stainless steel AISI 304